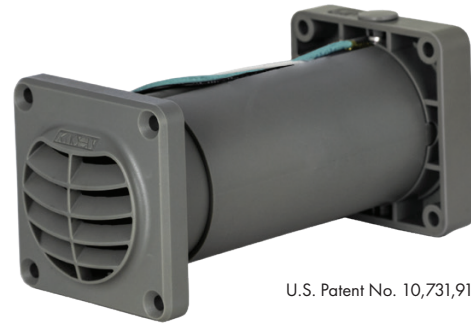


1825LE Intelli-Vent® Pressure Relief Port (Replacement for 1825 Port)

Part Number: 11825LE*

FEATURES

- Compact design to fit in tight spaces with improved flow capacity
- Dual port staged valves adjust to airflow conditions making entry/exit easier
- Heater coupled directly to louver mitigates frost accumulation
- 4" to 6" telescopic adjustment provides flexibility for multiple wall thicknesses
- High-flow capacity for walk-in coolers up to 7,000 cf and freezers up to 3,500 cf (per port)



U.S. Patent No. 10,731,912; 10,739,055

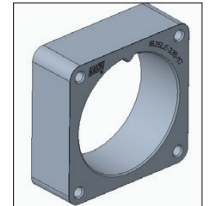
Exterior View

MATERIALS

- **Heater Cover:** Gray polycarbonate
- **Heated Louver:** Die-cast aluminum
- **Heater Sleeve:** Gray ABS
- **Louver Exterior:** Gray ABS
- **Valve:** Gray ABS
- **Cap:** Gray ABS
- **Retaining Wheel:** 300 series stainless steel
- **Label:** Mylar
- **Screen:** Aluminum
- **Screws and Washers:** Zinc plated steel
- **Heater:** Printed element encased in polymer thick film



Interior View



Spacer for 3" Wall

MATERIALS

Temperature Range
 -30°F to 40°F (-34°C to 4.4°C)
 U.L. File No.: 57306

Power
 0.05 Amp @ 120 VAC, 50/60 Hz, 5 W heater
 0.03 Amp @ 230 VAC, 50/60 Hz, 5 W heater

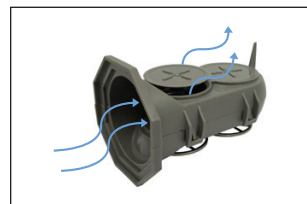
INSPECTION

Hi-pot test, 1500 VAC for 1 second max, dimensional check, functional check and appearance check

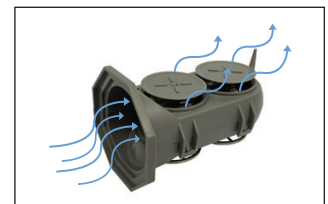
WARNING

To ensure safe installation, follow instructions enclosed within product shipping carton.

NEW DUAL PORT STAGED VALVES



Intermediate Flow



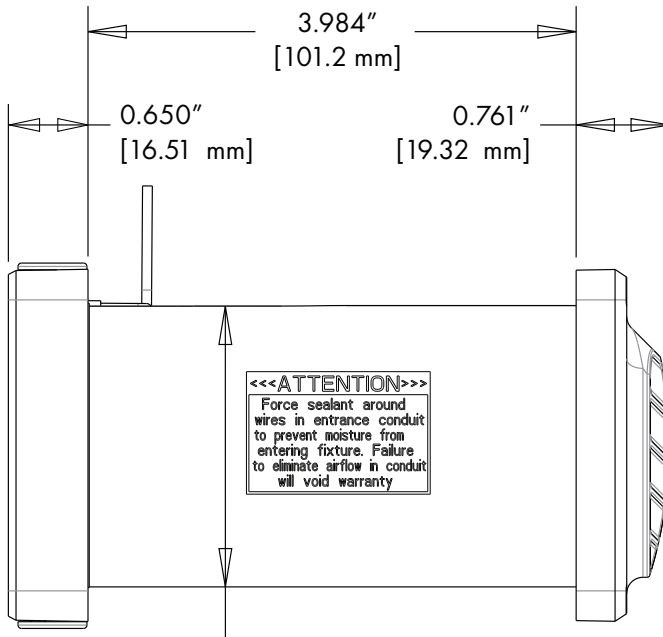
High Flow

*Part No.	Description
11825LE0004	Pressure Relief Port, 120 VAC, 4" to 6" Wall Thickness
11825LE0006	Pressure Relief Port, 230 VAC, 4" to 6" Wall Thickness
11825LE0008	Pressure Relief Port, Non-Heated, 4" to 6" Wall Thickness
11825LE3350117	3" Wall Spacer

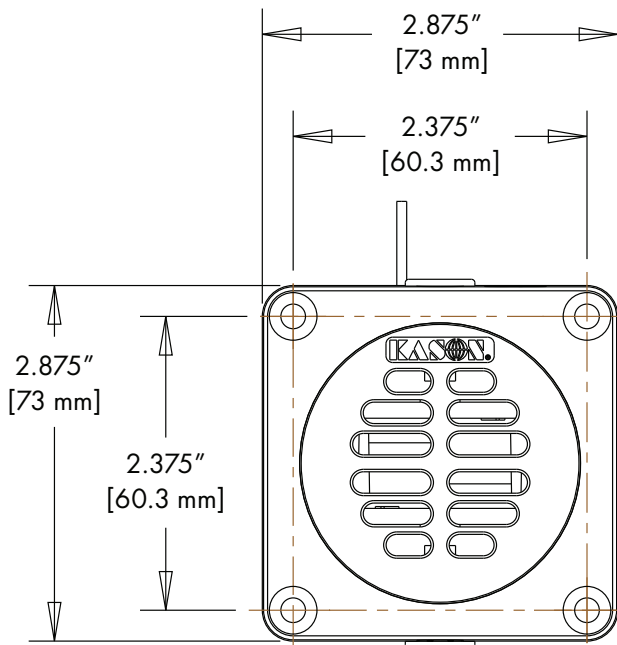
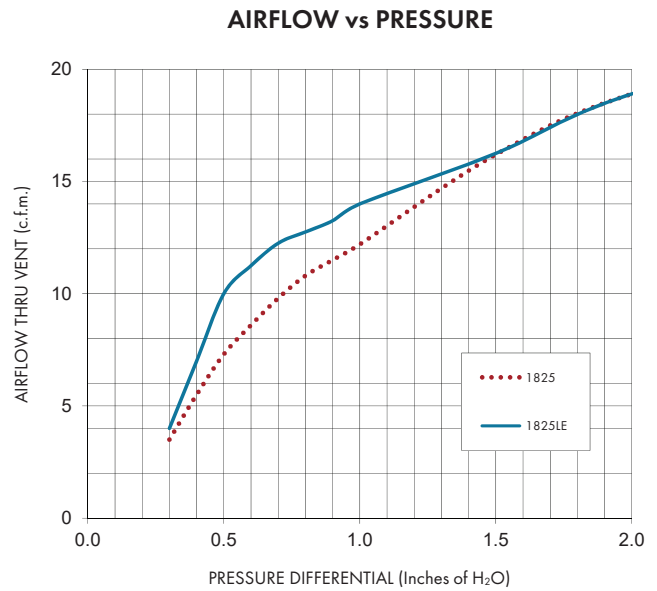


1825LE Intelli-Vent® Pressure Relief Port (Replacement for 1825 Port)

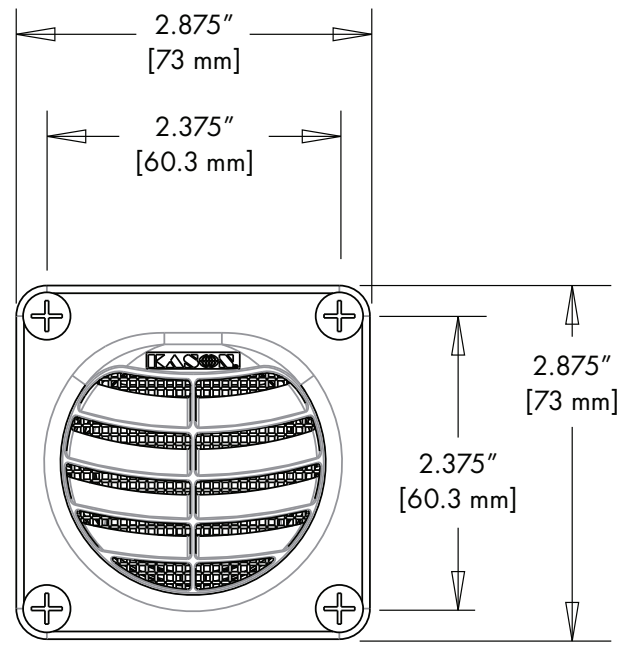
Part Number: 11825LE*



Ø2.5" Hole for Installation



Inside Walk-in View



Outside Walk-in View