

1556-60/70 Universal Hinge Bracket Kit

Part Number: 11556*

The Kason® 1556-60/70 Universal Bracket Kit provides the ultimate flexibility of using one mounting bracket for both top/bottom, left/right hand door swings.

FEATURES

- Allows easy replacement of hinges or changing left/right door swing direction
- Reduces SKUs for hinge brackets down to (1)
- Durable, hardened steel construction
- 90° stop block kit available

MATERIALS

- **Flange:** Hardened steel, zinc plated finish
- **Adapter Kit:** Steel, zinc plated finish
- **90° Stop:** Glass filled nylon
- **Hardware:** Zinc plated steel

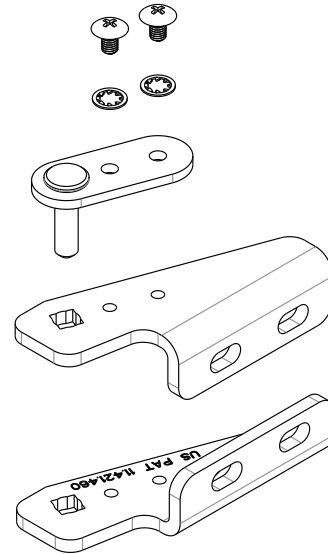
DESIGN CRITERIA

- **Mounting Hardware:** 1/4" diameter bolts or screws (not included)
- **Load Rating:** See [Hinge Selector Chart](#), Group B, up to 100 lb (45 Kg), 24" (610 mm) wide door
- **Temperature Range:** -20° to 150°F (-29°C to 66°C)
- Cycle tested to 500,000 cycles
- US Patent 11,421,460

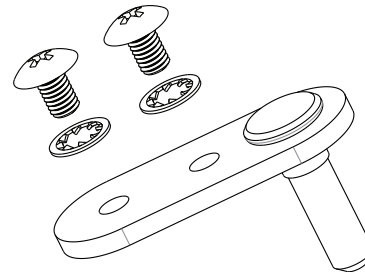
Part No.	Description
11556000060	Universal Hinge Bracket Kit
11556000073	Adapter Kit
11556000064	90° Stop Block Kit (Optional)

Note: 90* Stop Block Kit to be used in conjunction with select Kason 1556 Power Pivot Spring Cartridges

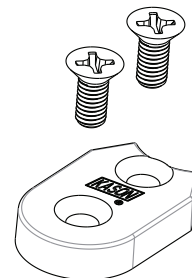
1556-60 Bracket Kit



1556-73 Adapter Kit



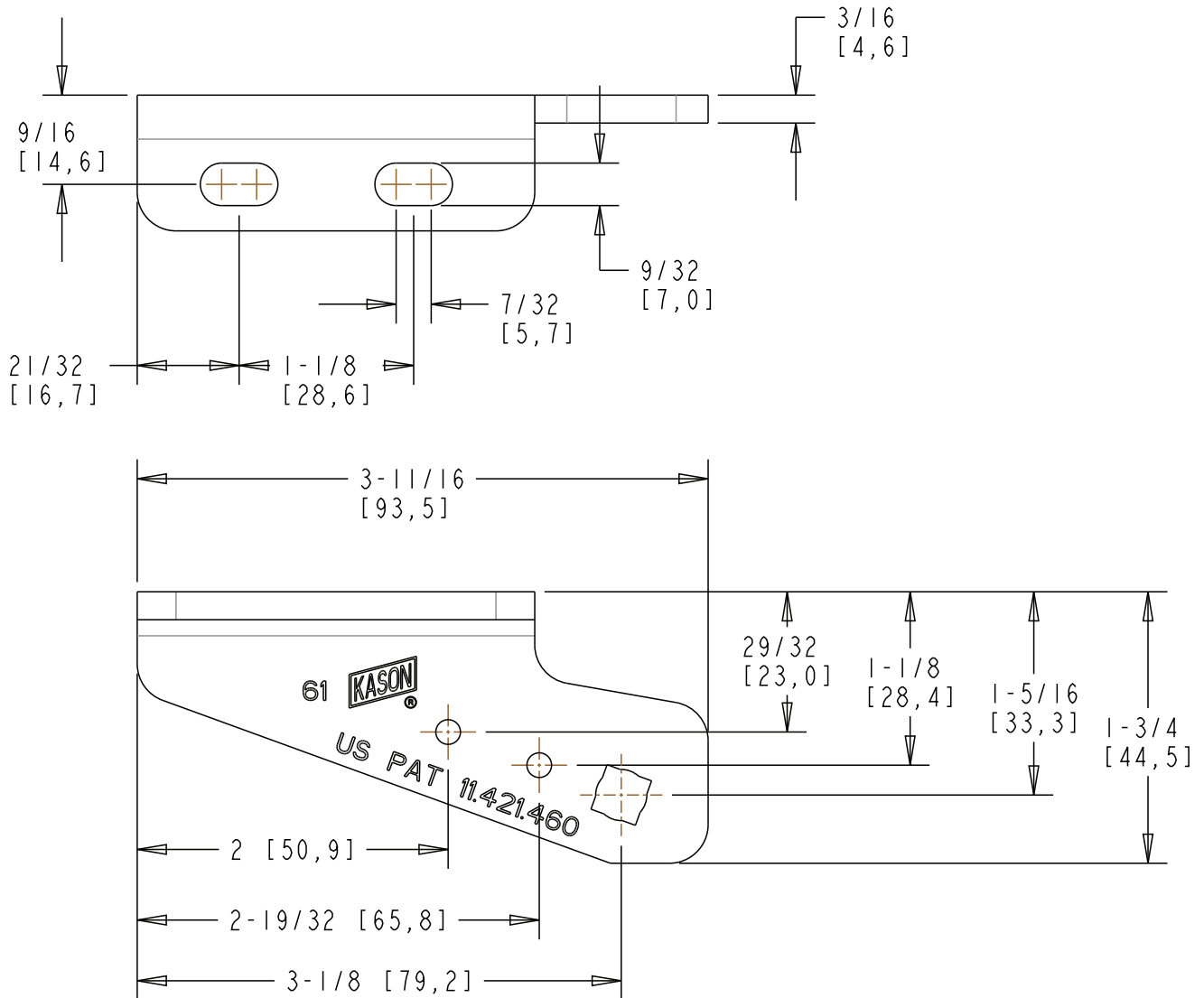
1556-64 90° Stop Block Kit



1556-60/70 Universal Hinge Bracket Kit

Part Number: 11556*

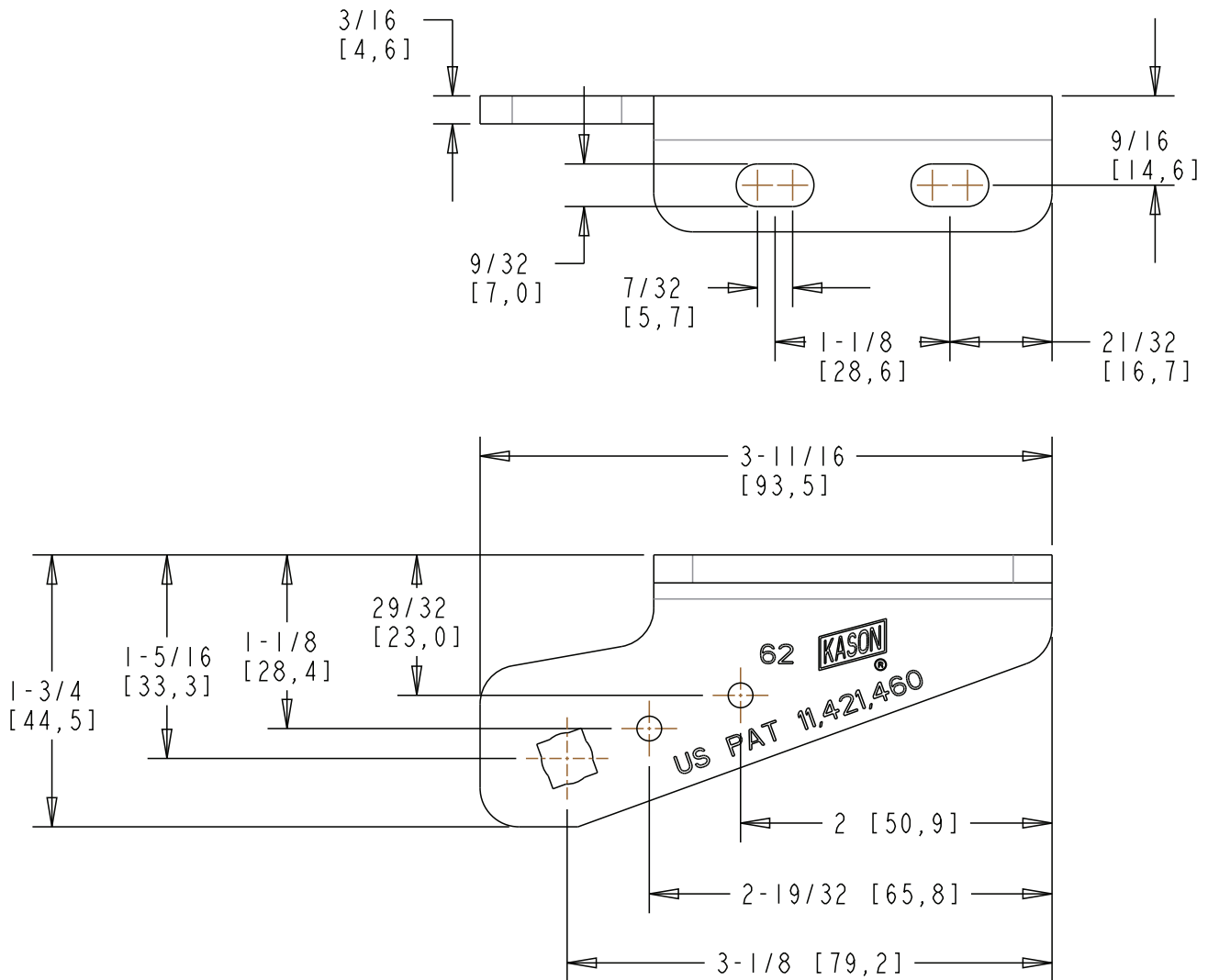
1556-71 Flange



1556-60/70 Universal Hinge Bracket Kit

Part Number: 11556*

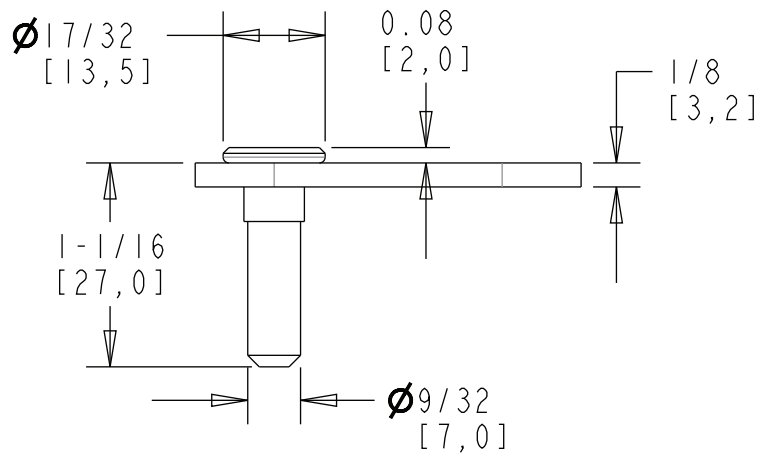
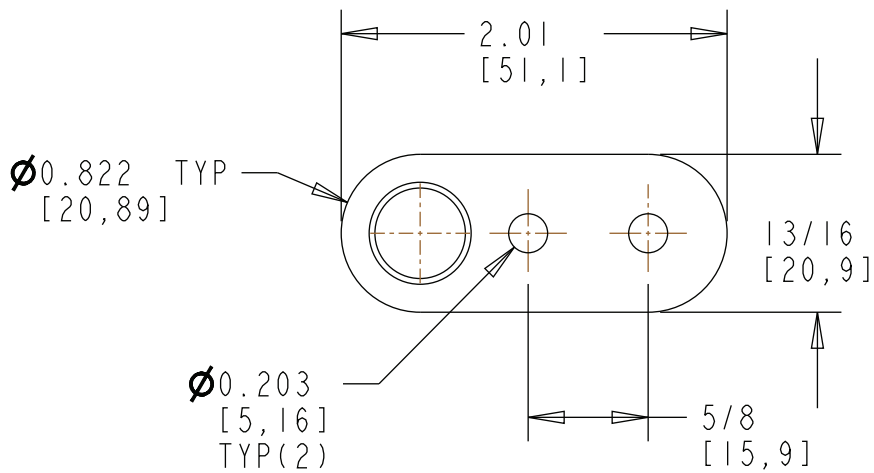
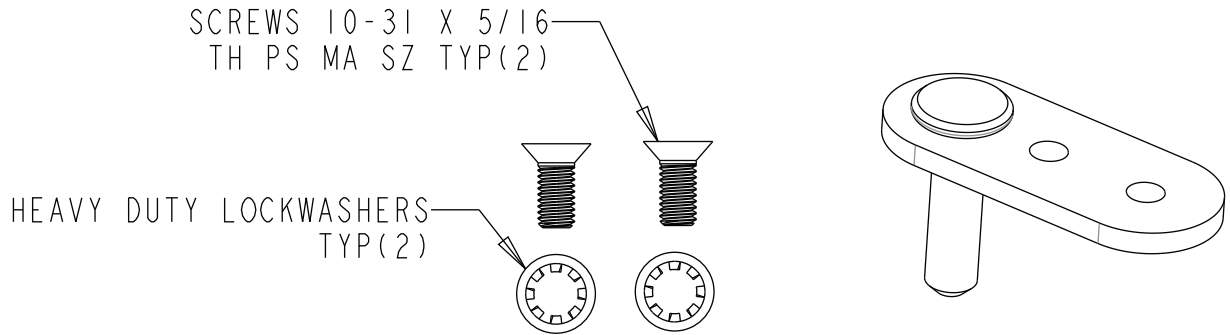
1556-62 Flange



1556-60/70 Universal Hinge Bracket Kit

Part Number: 11556*

1556-73 Adapter Kit (Optional)



1556-60/70 Universal Hinge Bracket Kit

Part Number: 11556*

1556-64 90° Stop Block Kit (Optional)

