

1230 Walk-In Door Foot Treadle

Part Number: 1123000004

DIRECTIONS

1. Verify there is appropriate backing material in jamb and door before starting. If no backing material is found, order Kason's 1230-316 retrofit kit, and see page 2.
2. Align foot treadle on jamb (FIG. A), mark holes (FIG. C), remove treadle, and drill pilot hole in jamb. Determine the type of flat head hardware required (not included), prep holes and install foot treadle on jamb.
3. Align bracket with edge of door (FIG. B) and top of treadle, as shown in (FIG. A), mark holes and drill pilot hole in door. Use flat head hardware (not included) to install brackets.

NOTE: This foot treadle should only be installed on doors that use handles and not mechanical latches.



FIG. A

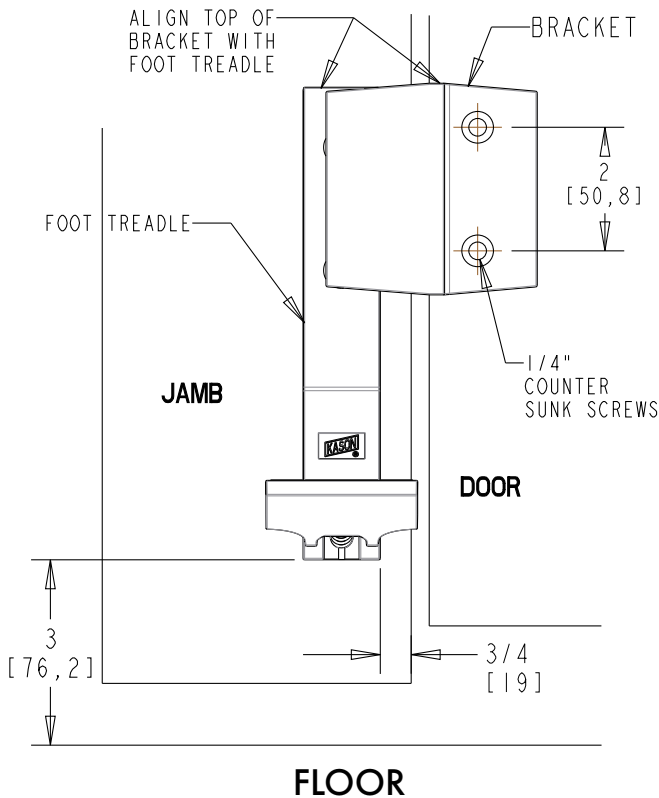


FIG. B

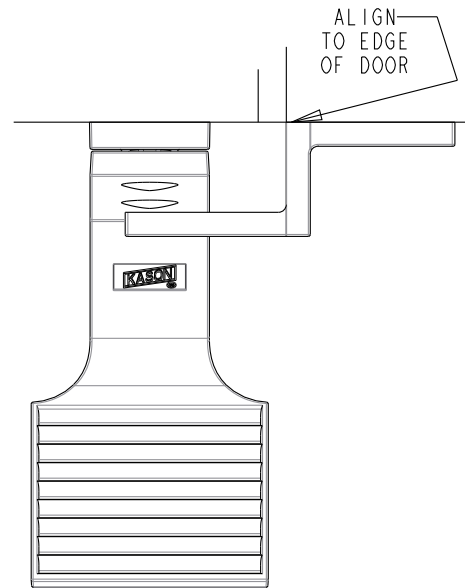
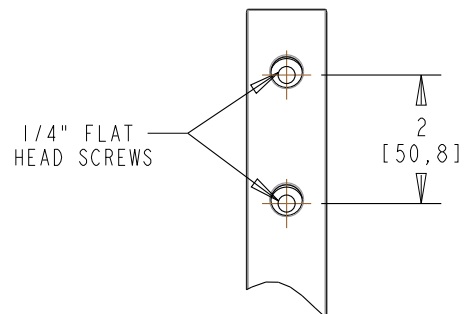


FIG. C



1230-8 Foot Treadle Assembly w/ Retrofit Kit

Part Number: 11230000008

DIRECTIONS

1. Align foot treadle on jamb (FIG. A). Mark holes, remove treadle, and drill completely through jamb with a 1/4" drill bit. Fill hole with silicone caulk on warm side only. Install threaded rods through the holes, and install hardware (FIG. B.)
2. Place retrofit bracket on door and align with top of foot treadle. Mark 5 holes, remove plate, and drill 3-1/4" diameter through holes (FIG. C). Fill holes with silicone on warm side. Next, attach plate using 3-1/4" nylon rods and 6 nylon nuts. Next, tighten nylon nuts on both sides and add second nut and tighten to lock nuts together. Finally, install 2 self drilling screws (FIG. C)

NOTE: This foot treadle should only be installed on doors that use handles and not mechanical latches.



FIG. A

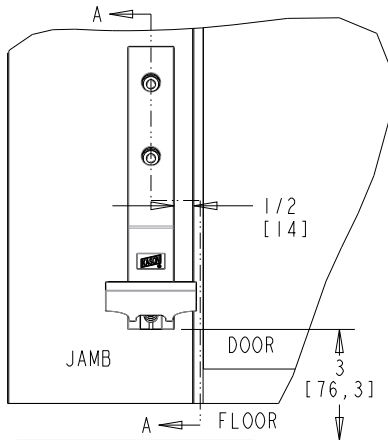


FIG. B

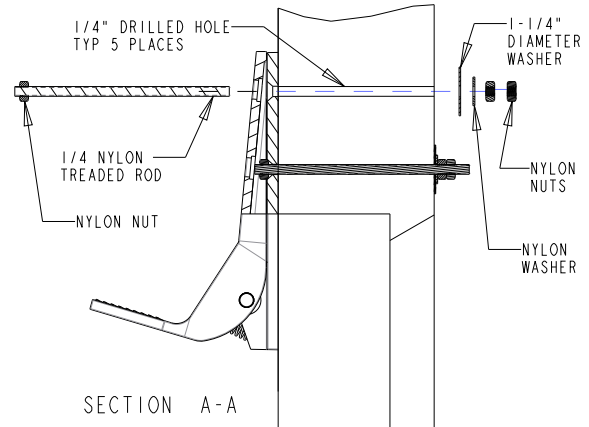


FIG. C

