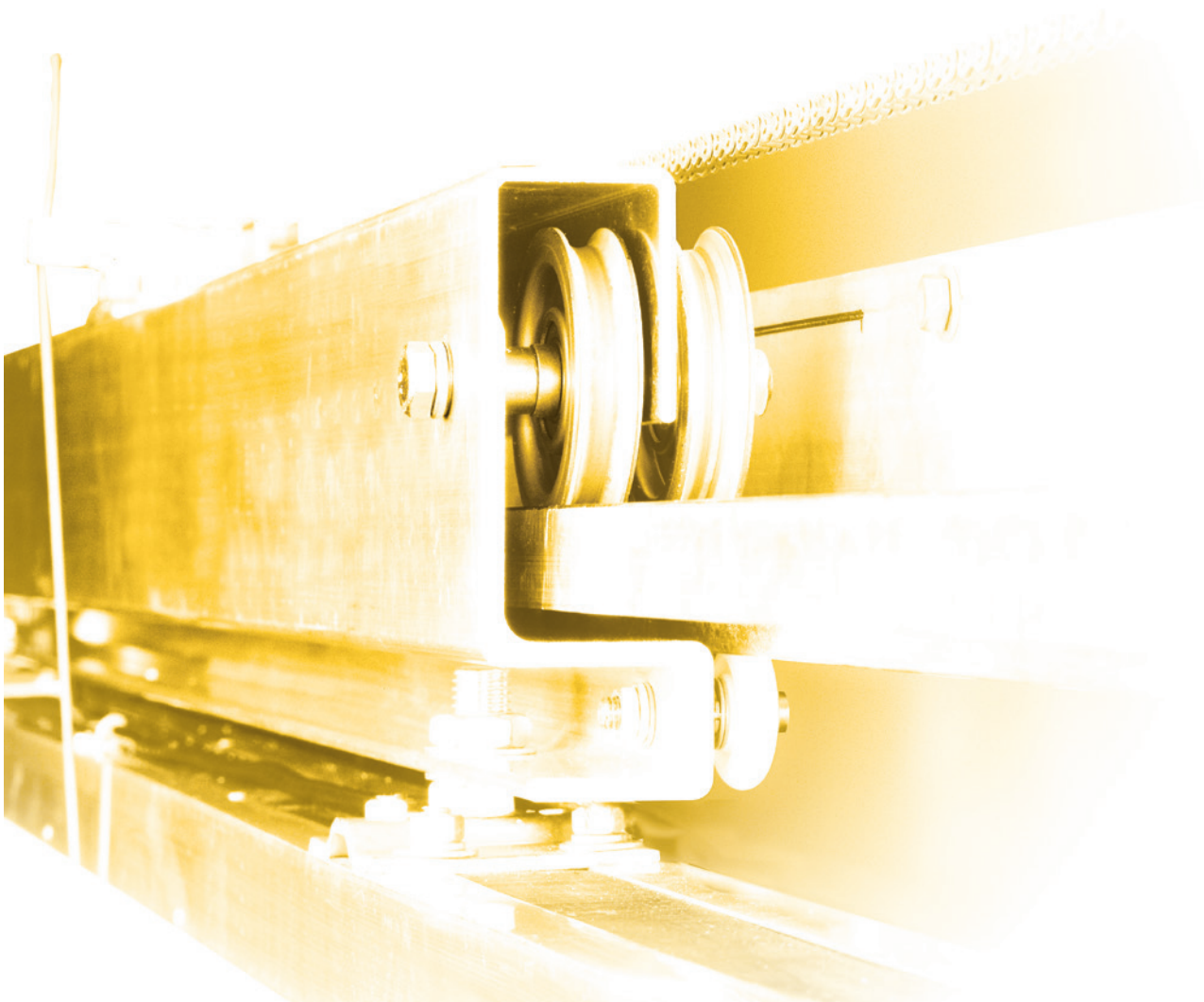




It's Better with Kason.

Sliding Door Systems

1.800.935.2766 | kasonind.com



The Kason Mission

To Protect your Product Integrity

Our customers go to great lengths to build top-of-the-line coolers, freezers, foodservice equipment, industrial enclosures and delivery vans. Our goal is to preserve your product integrity by providing the highest quality door hardware and accessories for both original equipment and replacement applications.

End users need to protect products and processes, and lower operating costs. Their first line of defense is stable, airtight enclosures with doors that open with ease and close securely.

Since 1926, Kason has promised and delivered just that. Kason's extensive lines of walk-in and reach-in door hardware satisfy the most demanding requirements. Demonstrate the value of your products with the most innovative, dependable and longlasting hardware in the business.

Research and Testing

Every Kason product must fulfill our customers' requirements. Before we develop a new product, we research the needs of both our industry and end users. We are never satisfied with the status quo. Our dedicated research and development staff continually search for pioneering design concepts. They insist on engineering integrity, extensive product testing and precise, in-line quality control. That is how we have developed such successful and trustworthy products as SafeGuard® inside releasing safety latches, Pacesetter handles and hinges, stainless steel hinges and latches and truck door handles with removable cylinder locks.

Creative Concepts

Leading equipment manufacturers turn to Kason when they want a unique look of their own. We will adapt a stock product, design custom hardware or partner with your design engineers to develop a signature appearance just for your products. Building special and customized hardware is routine at Kason.

Quality

Kason production facilities boast state-of-the-art installations, featuring fully automated die-casting, polishing and electroplating, as well as a full range of electronically controlled and robotic machinery. We require the finest raw materials, accurate machine tolerances and the highest level of Finishing. Skilled, experienced people maintain the Kason tradition of production excellence. Our unrelenting commitment to superior manufacturing assures you consistently high quality products at the lowest possible cost. Quality assurance is integrated into every step of Kason operations to from engineering research and development through packaging and shipping.

Service

The lifeline to all your foodservice needs is our efficient and friendly Customer Service Department. A representative can quickly track product availability or the status of your order with our computerized inventory and order control system. Count on dependable global delivery as we serve you from Kason distribution centers in the continental United States and Canada as well as through authorized distributors throughout the world.

Our Promise

Satisfying your needs is our top priority. That is why Kason supplies you with hardware and accessories that reflect the same quality you demand in your own products. We strive to demonstrate an attitude that makes you want to do business with us. At Kason we offer a tradition of excellence, a philosophy of innovation and the most trusted name in specialty commercial hardware.

Kason Contacts

USA Sales & Distribution Centers

1.800.93KASON (800.935.2766)

Kason Industries, Inc.

Global Headquarters

57 Amlajack Boulevard | Newnan, GA 30265-1015, USA
800.935.3550 | FAX: 770.251.4854
Info@kasonind.com

Kason Foodservice Division

31 Amlajack Boulevard | Newnan, GA 30265-1015, USA
866.231.2157 | FAX: 770.252.8397
FoodService@kasonind.com

Kason International Division

57 Amlajack Boulevard | Newnan, GA 30265-1015, USA
770.304.3000 | FAX: 770.251.4854
International@kasonind.com

Kason Vinyl Division

31 Amlajack Boulevard | Newnan, GA 30265-1015, USA
800.472.7450 | FAX: 770.252.8397
Vinyl@kasonind.com

Kason Canada Branch

226 Industrial Pkwy North, Unit 2 | Aurora, Ontario, L4G 4C3, Canada
905.713.6515 | FAX: 905.713.6518
Canada@kasonind.com

Kason Central Branch

8889 Whitney Drive | Lewis Center, OH 43035-7106, USA
740.549.2100 | FAX: 740.549.0701
Central@kasonind.com

Kason Mid-America Branch

1239 Atlantic Avenue | Kansas City, MO 64116-4141, USA
816.472.7450 | FAX: 816.472.8580
MidAmerica@kasonind.com

Kason Western Branch

1500 East Wooley Road, Suite E
Oxnard, CA 93030-7385, USA
805.247.1088 | FAX: 805.247.1164
Western@kasonind.com

Catalog Icons



Walk-In



Casters & Caster Legs



Vinyl



Plumbing



Sliding Doors



Cabinet & Cafeteria



Lighting & Electrical



Canopy Hood



Reach-In



Fabrication Supplies



Equipment Legs



Truck Body

8100 Series Accessories 142

8100 Series Premium Track System 141

8100 Styliner Systems 139

8200 Series Spacesaver Doorware 134

8600 Accessories..... 150

8600 Bi-Parting Door System..... 146

8600 Bi-parting System Ordering Guide 147

8600 EZ Doorware Power Drive 149

8600 EZ Power Accessories 150

8600 Series Premium Track System 148

8600 Single Door System 144

8600 Single Door System Ordering Guide..... 145

Door Guides for 8100/8600 Doorware Systems 143

Equivalent Cost to Install and Lower Maintenance Expense 138

Gasket Kits for Sliding Doorware Systems 137

Unique Gasket Systems..... 136



© 2024 Kason Industries, Inc.
0524 LIT 001

8200 Series Spacesaver Doorware



Two Exceptional Systems

Standard Spacesaver: The open door stops in any position.

Self-Closing Spacesaver: The door recloses from any partially open position; holds in fully open position.

Space-Saving Manual Operating Systems For Horizontal Sliding Entry Doors Put Wasted Space and Dollars To Work

What is the cost of living with dead space — that wasted floor space where swing doors open and close? We calculate that it is costing you about 28 sq. ft. for every 48" wide door. Every 48" swing door can cost nearly \$1500 in unproductive space every year, year after year, based on average annual operating cost of \$52 per square foot.

Now, reclaim that wasted space. Put it to work supporting sales, when you replace swing doors with sliding doors fitted with Kason 8200 Doorware systems. Retailers, wholesalers and distributors can use that reclaimed space for additional equipment, storage, or to leave aisles clear for more efficient operation.

Features

Track and Cover

Corrosion resistant aluminum material for strength and durability

End Caps

Protect mechanism and act as door stops

Door Hangers

Maximize stability and simplify door adjustment

Gasket Kits

Appropriate radius corner cooler or freezer gasket kit

Door Pulls

Exterior handle and interior recessed handle supplied

Reclaimed Space

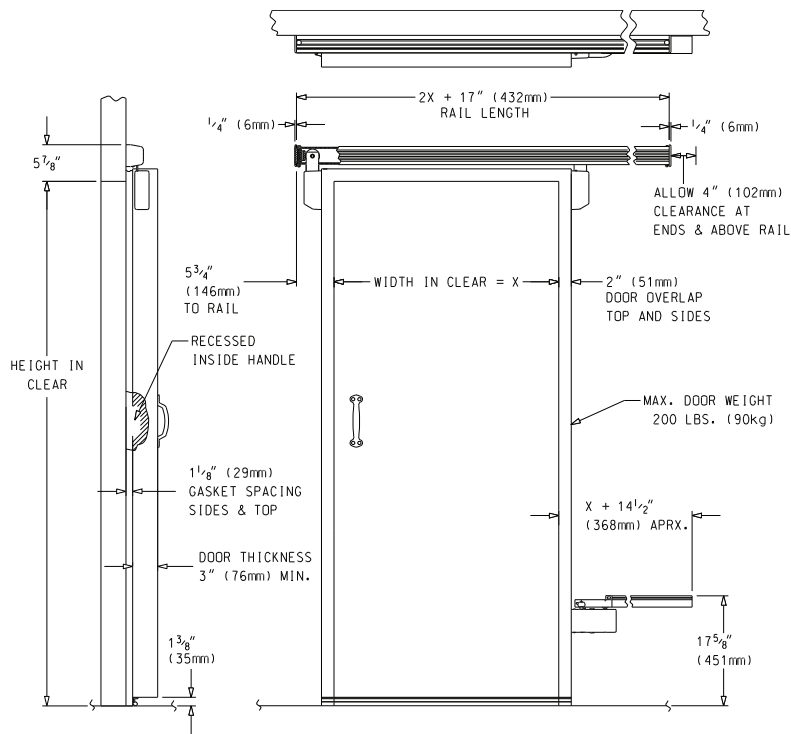
Every 4-ft. wide sliding door with an 8200 Spacesaver Doorware system reduces dead floor space by minimum 28 sq. ft., compared to the same size swing door

Lower Guide

Integral, wall-mounted, spring-loaded guide assures full closure and tight seal against gaskets



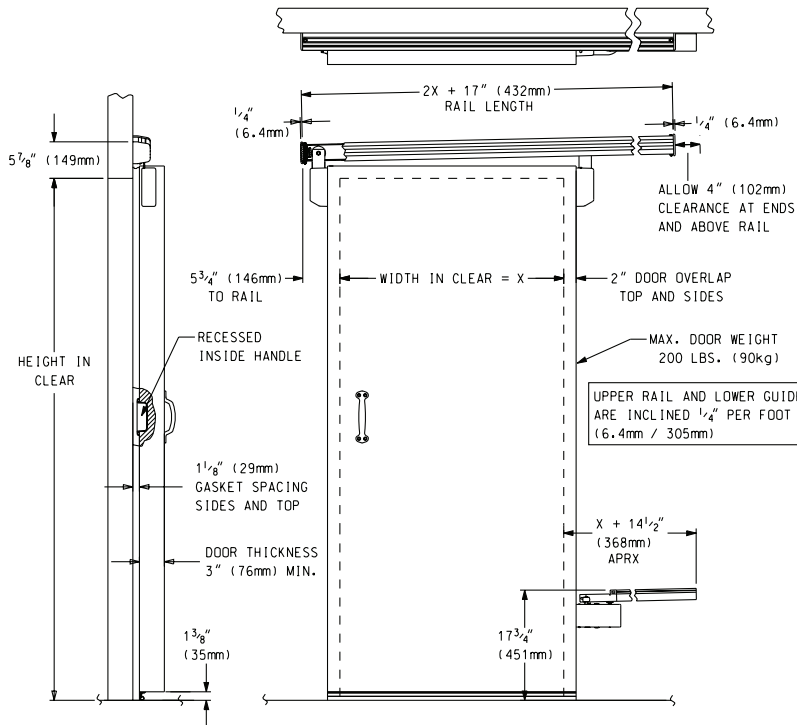
8200 Standard System



Part No.	Description	Dimensions
18200000004036	Doorware, Right Hand	36" (91.4 cm)
18200000004048	Doorware, Right Hand	48" (121.9 cm)
18200000004060	Doorware, Right Hand	60" (152.4 cm)
18200000005036	Doorware, Left Hand	36" (91.4 cm)
18200000005048	Doorware, Left Hand	48" (121.9 cm)
18200000004060	Doorware, Left Hand	60" (152.4 cm)

Note: All 8200 track systems include a wall guide mechanism.

8200 Self-Closing System



Part No.	Description	Dimensions
18200000006036	Doorware, Self-Closing, Right Hand	36" (91.4 cm)
18200000006048	Doorware, Self-Closing, Right Hand	48" (121.9 cm)
18200000006060	Doorware, Self-Closing, Right Hand	60" (152.4 cm)
18200000007036	Doorware, Self-Closing, Left Hand	36" (91.4 cm)
18200000007048	Doorware, Self-Closing, Left Hand	48" (121.9 cm)
18200000007060	Doorware, Self-Closing, Left Hand	60" (152.4 cm)

Note: All 8200 track systems include a wall guide mechanism.

© 2024 Kason Industries, Inc. 0524 LIT 001

Unique Gasket Systems

8200 Series Radius Cooler Gasket Kit



8200 Radius Freezer Gasket Kit



8200 Padlock Hardware



Unique Gasket Systems

Tough gasket channel features pre-molded radius corners for easy gasket installation; eliminates mitering and corner joints. Simply install channel and insert gasket. Order appropriate gasket kit for your application:

- **Cooler Kit** includes gasket channel with radius corners, gasket material and sweeper
- **Freezer Kit** includes gasket channel with radius corners, double gasket material, double floor sweeper and aluminum heater channels with covers. (Electric heater cables are not included; contact your Kason Customer Service Representative for more information.)

Optional Equipment

Locking Mechanism Accepts 5/16" (8 mm) dia. shank Master #1LJ padlock (not included).

Foot Treadle Allows hands-free door opening. Low-profile requires minimum space. Installs on leading edge of door.

8200 Spacesaver Ordering Guide

8200 Basic Track System

Track with hardware

- Door hangers with covers (2)
- Lower wall guide
- Outside and inside handles
- Gasket set

8200 Doorware Specifications

Material

Metal parts are aluminum, stainless steel, bronze, or plated steel for corrosion resistance. Resilient, flexible vinyl gasket tested per ASTM Standard E4257

Size

Pre-cut track and mechanism for door openings up to 60" (1524 mm) wide

Adjustment Range

Roller brackets adjust 3/4" (19 mm) vertical and 1/2" (13 mm) in and out

Door Handles

Outside handle and inside recessed handle supplied

Mounting

Track and lower guide mount to wall. Detailed installation instructions supplied

Door Specifications

Type

Single horizontal

Operation

Manual sliding

Weight

Max. 200 lb (90 kg)

Thickness

3" (76 mm) or greater

Opening Height

Standard gaskets available for heights up to 84" (2134 mm). Gaskets for taller door openings may be special-ordered through your Kason representative.

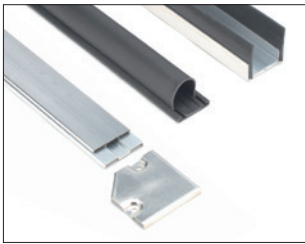
8200 Series Radius Freezer Gasket



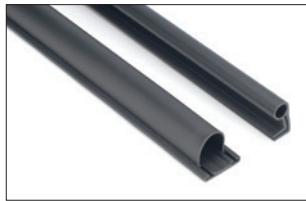
8200 Series Radius Cooler Gasket



8600 Series Freezer Gasket



8600 Series Cooler Gasket



Kason gasket kits come to you ready to trim and mount to your doors. Material is resilient, flexible vinyl tested per ASTM Standard E4257. Gasket retainer strips for top and sides of door are low-conductive, rigid PVC to minimize condensation.

Standard gaskets maintain firmest seal. Radius corner gaskets reduce required opening and closing force.

Standard Cooler/Industrial Gasket Kit consists of large bulb single sweeper gasket, two vertical and one horizontal gasket retainers of rigid PVC to minimize condensation, and gasket to seal top and sides of door.

Standard Freezer Gasket Kit includes double floor sweeper with "U" channel aluminum retainer to accommodate heater, and bulb gasket with retainer for top and sides of door.

Corner Cooler/Industrial Gasket Kit includes gasket channel with pre-molded radius corners, gasket material and sweeper.

Corner Freezer Gasket Kit includes gasket channel with radius corners, gasket material, double floor sweeper to accommodate heater, and aluminum heater channels with covers.

Customer must supply new opening size (W x H).

Match net opening size (W x H) to nearest size without going over to find correct Gasket Kit part number.

Electric heater cables are not included; contact your Kason Customer Service Representative for more information.

Part No.	Description	Dimensions (W x H)
18200000016036	8200 Series Radius Freezer Gasket	36" x 84" (91.4 x 213.4 cm)
18200000016048	8200 Series Radius Freezer Gasket	48" x 84" (121.9 x 213.4 cm)
18200000016060	8200 Series Radius Freezer Gasket	60" x 84" (152.4 x 213.4 cm)
18200000017048	8200 Series Radius Freezer Gasket	48" x 96" (121.9 x 243.8 cm)
18200000017072	8200 Series Radius Freezer Gasket	72" x 96" (182.9 x 243.8 cm)
18200000017096	8200 Series Radius Freezer Gasket	96" x 96" (243.8 x 243.8 cm)
18200000017120	8200 Series Radius Freezer Gasket	120" x 96" (304.8 x 243.8 cm)
18200000017144	8200 Series Radius Freezer Gasket	144" x 96" (365.8 x 243.8 cm)
18200000018144	8200 Series Radius Freezer Gasket	144" x 144" (365.8 x 365.8 cm)
18600000016072	8600 Series Freezer Gasket	72" x 96" (182.9 x 243.8 cm)
18600000016096	8600 Series Freezer Gasket	96" x 96" (243.8 x 243.8 cm)
18600000016120	8600 Series Freezer Gasket	120" x 96" (304.8 x 243.8 cm)
18600000016144	8600 Series Freezer Gasket	144" x 120" (365.8 x 304.8 cm)
18600000016192	8600 Series Freezer Gasket	192" x 120" (487.7 x 304.8 cm)
18600000017120	8600 Series Freezer Gasket	120" x 120" (304.8 x 304.8 cm)
18600000017144	8600 Series Freezer Gasket	120" x 144" (304.8 x 365.8 cm)
18600000017288	8600 Series Freezer Gasket	144" x 144" (365.8 x 365.8 cm)

Part No.	Description	Dimensions (W x H)
18200000020036	8200 Series Radius Cooler Gasket	36" x 84" (91.4 x 213.4 cm)
18200000020048	8200 Series Radius Cooler Gasket	48" x 84" (121.9 x 213.4 cm)
18200000020060	8200 Series Radius Cooler Gasket	60" x 84" (152.4 x 213.4 cm)
18200000021048	8200 Series Radius Cooler Gasket	48" x 96" (121.9 x 243.8 cm)
18200000021072	8200 Series Radius Cooler Gasket	72" x 96" (182.9 x 243.8 cm)
18200000021096	8200 Series Radius Cooler Gasket	96" x 96" (243.8 x 243.8 cm)
18200000021120	8200 Series Radius Cooler Gasket	120" x 96" (304.8 x 243.8 cm)
18200000021144	8200 Series Radius Cooler Gasket	144" x 96" (365.8 x 243.8 cm)
18200000022144	8200 Series Radius Cooler Gasket	144" x 144" (365.8 x 365.8 cm)
18600000020072	8600 Series Cooler Gasket	72" x 96" (182.9 x 243.8 cm)
18600000020096	8600 Series Cooler Gasket	96" x 96" (243.8 x 243.8 cm)
18600000020120	8600 Series Cooler Gasket	120" x 120" (304.8 x 304.8 cm)
18600000020144	8600 Series Cooler Gasket	144" x 120" (365.8 x 304.8 cm)
18600000020192	8600 Series Cooler Gasket	192" x 120" (487.7 x 304.8 cm)
18600000021144	8600 Series Cooler Gasket	120" x 144" (304.8 x 365.8 cm)
18600000021288	8600 Series Cooler Gasket	144" x 144" (365.8 x 365.8 cm)

Equivalent Cost to Install and Lower Maintenance Expense

8200 Covered Track and 8200 Series Radius Gasket



- 8200 system replaces a standard swing door at virtually the same installed cost
- Engineered for low maintenance with durable, corrosion-resistant materials and simple mechanisms
- Micro-leveling simplifies vertical door adjustment and, combined with the lower guide system, holds the door shut with positive gasket seal, reducing the energy cost of leaky doors
- Sliding door systems won't sag like swing doors
- Mechanical systems are protected from dirt and moisture damage with easy-to-clean covers

Reduced Liability

- 8200 Doorware systems eliminate swinging door accidents and injuries
- Hanging system wheels are fully contained so the door cannot derail
- The lower wall guide system leaves the floor clear of obstructions and retains the door in the desired position
- Dual function rail end caps act as door stops at the ends of travel

Open Track and Door Hanger (w/o Cover) with 8200 Hanger Assembly



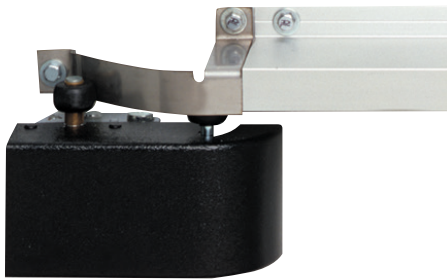
Easy Installation

- The 8200 system installs quickly with pre-fabricated door panels
- Strong, corrosion-resistant aluminum track mounts directly to the wall
- Side-mounted hangers reduce door framing requirements
- Pre-molded, radius corner gasket channel makes gasket installation easier; no gasket corners to miter and join
- No external door stops are needed

Smooth Operation

- Door hangers glide easily on ball bearing and molded nylon rollers
- Self-activating lower guide assures smooth door travel and positive seal
- Side-mounted door hangers maximize stability and simplify adjustments

8200 Wall Guide Retainer with 8200 Door Closer (LH)

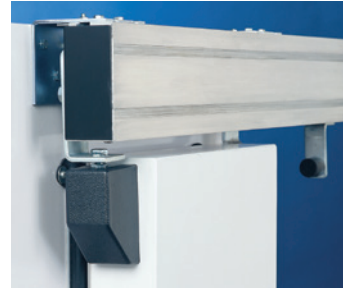


Exclusive, Self-Activating Wall Guide

- Lower guide system mounts to the door and wall, leaving floor free of obstructions
- Spring-loaded design ensures full door closure and a tight seal
- Holds door shut against pressure surges inside the enclosure
- Smoothly releases gasket seal and guides door to open position



8100 End View With Covers



8100 End View Without Covers

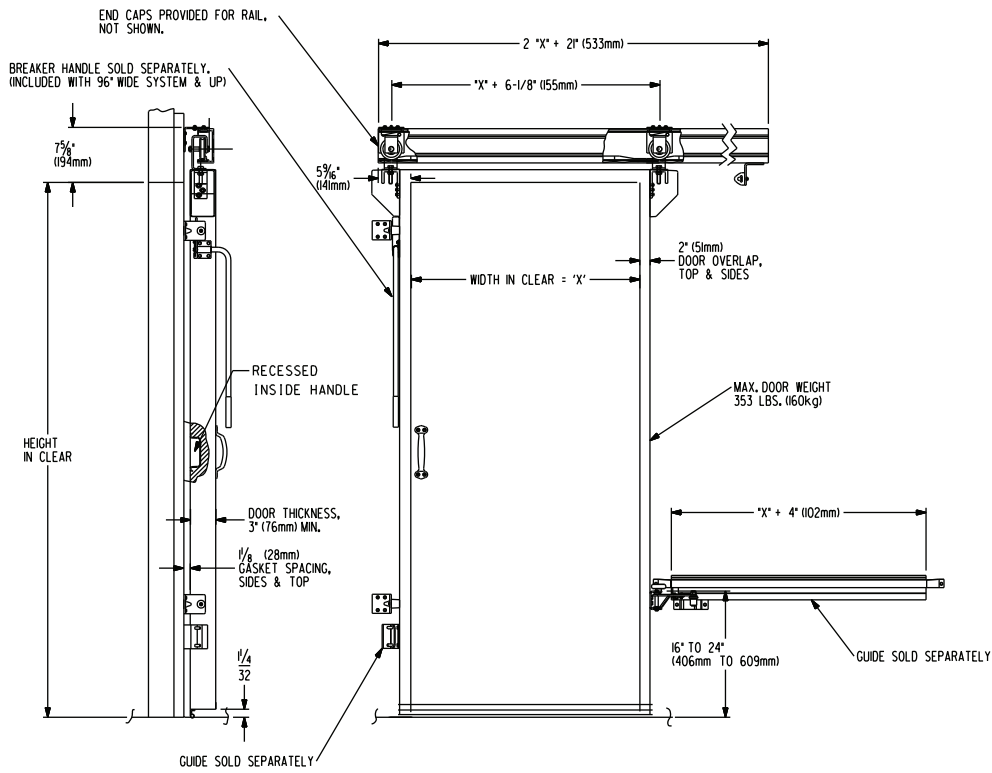


This deluxe version adds style and protection to the basic 8000 Doorware system. Get all the exceptional features and operating ease of the 8000 Premium with the extra advantage of durable, black powder coated end caps and sleek, textured hanger covers to enhance the appearance and further protect the operating mechanism.

8100 Styliner Basic Track System Ordering Guide

- All 8000 System parts, plus Styliner edge-mounting hanger assemblies (2)
- Styliner rail end caps (2)
- Styliner hanger assembly covers (2)

8100 System



Part No.	Description	Dimensions (W x H)
1810000004036	Track System Only	36" (91.4 cm)*
1810000004048	Track System Only	48" (121.9 cm)*
1810000004072	Track System Only	72" (102.8 cm)*
1810000004096	Track System Only	96" (243.8 cm)*
1810000004120	Track System Only	120" (304.8 cm)*
18100162006036096	Track system w/ Gasket kit and Wall Guide (Freezer)	36" x 96" (91.4 x 243.8 cm)
18100162006048096	Track system w/ Gasket kit and Wall Guide (Freezer)	48" x 96" (121.9 x 243.8 cm)
18100162006060096	Track system w/ Gasket kit and Wall Guide (Freezer)	60" x 96" (152.4 x 243.8 cm)
18100162006072096	Track system w/ Gasket kit and Wall Guide (Freezer)	72" x 96" (102.8 x 243.8 cm)
18100162006096096	Track system w/ Gasket kit and Wall Guide (Freezer)	96" x 96" (243.8 x 243.8 cm)
18100162006120096	Track system w/ Gasket kit and Wall Guide (Freezer)	120" x 96" (304.8 x 243.8 cm)
18100202006036096	Track system w/ Gasket kit and Wall Guide (Cooler)	36" x 96" (91.4 x 243.8 cm)
18100202006048096	Track system w/ Gasket kit and Wall Guide (Cooler)	48" x 96" (121.9 x 243.8 cm)
18100202006060096	Track system w/ Gasket kit and Wall Guide (Cooler)	60" x 96" (152.4 x 243.8 cm)
18100202006072096	Track system w/ Gasket kit and Wall Guide (Cooler)	72" x 96" (102.8 x 243.8 cm)
18100202006096096	Track system w/ Gasket kit and Wall Guide (Cooler)	96" x 96" (243.8 x 243.8 cm)
18100202006120096	Track system w/ Gasket kit with Wall Guide (Cooler)	120" x 96" (304.8 x 243.8 cm)

Note: *Width measurement only

Part No.	Description	Dimensions (W x H)
18100164206036096	Track system w/ Gasket kit and Floor Guide (Freezer)	36" x 96" (91.4 x 243.8 cm)
18100164206048096	Track system w/ Gasket kit and Floor Guide (Freezer)	48" x 96" (121.9 x 243.8 cm)
18100164206060096	Track system w/ Gasket kit and Floor Guide (Freezer)	60" x 96" (152.4 x 243.8 cm)
18100164206072096	Track system w/ Gasket kit and Floor Guide (Freezer)	72" x 96" (182.9 x 243.8 cm)
18100164206072120	Track system w/ Gasket kit and Floor Guide (Freezer)	72" x 120" (182.9 x 304.8 cm)
18100164206096096	Track system w/ Gasket kit and Floor Guide (Freezer)	96" x 96" (243.8 x 243.8 cm)
18100164206120096	Track system w/ Gasket kit and Floor Guide (Freezer)	120" x 96" (304.8 x 243.8 cm)
18100204206036096	Track system w/ Gasket kit and Floor Guide (Cooler)	36" x 96" (91.4 x 243.8 cm)
18100204206048096	Track system w/ Gasket kit and Floor Guide (Cooler)	48" x 96" (121.9 x 243.8 cm)
18100204206060096	Track system w/ Gasket kit and Floor Guide (Cooler)	60" x 96" (152.4 x 243.8 cm)
18100204206072096	Track system w/ Gasket kit and Floor Guide (Cooler)	72" x 96" (182.9 x 243.8 cm)
18100204206072120	Track system w/ Gasket kit and Floor Guide (Cooler)	72" x 120" (182.9 x 304.8 cm)
18100204206096096	Track system w/ Gasket kit and Floor Guide (Cooler)	96" x 96" (243.8 x 243.8 cm)
18100204206120096	Track system w/ Gasket kit and Floor Guide (Cooler)	120" x 96" (304.8 x 243.8 cm)

Notes: Systems can accommodate any size "up to" the dimension listed in the table above. Match to closest part number in the table without going over.

Complete systems are supplied with 8200/Radius gasket kits

Track Side View



Track System Features

- Attractive, rigid aluminum outer rail encloses and protects rollers and track
- Rail and track are durable, corrosion-resistant extruded aluminum for quick response and straight, sure tracking
- Track ramps are tough, smooth acetal for long wear and easy-sliding doors
- Hanger glides smoothly on large diameter nylon-clad, hardened steel ball-bearing rollers
- Anti-lift feature prevents derailing and deters forced entry when door is locked
- Adjustable, side-mounted door hangers reduce framing requirements, maximize stability and simplify door adjustments; adjustment range is 7/8" (23 mm) vertical and 5/8" (16 mm) in-and-out
- Micro-leveling allows for vertical door adjustment to maintain door seal; adjustment nuts are easy to access
- Extra-duty steel door stops with rubber bumpers cushion door at ends of travel
- Large exterior chrome plated pull handle and recessed inside pull handle are standard

Operation and Maintenance

- Sure closing door rolls "down-and-in" to close with a positive seal against the gaskets
- Easy opening with one pull
- Engineered with high-quality materials and simple mechanisms for minimum maintenance

8000-311 Door Stop



Mounting

- Systems 8000 and 8100 require a user supplied sub-frame

5001 Heavy-Duty Pull Handle



Part No.	Description
9800000311	Door Stop
15001SP0004	Heavy-Duty Pull Handle

8100 Series Accessories

Accessory Equipment

8000 Lever Handle (right) of stainless steel provides additional mechanical assistance to open large doors. Standard with systems for 96" (2438.4 mm) wide and larger doors. Optional on smaller systems.

8600 Lever Handle (far right) optional for use on heavier doors.

Padlocking Kits are available for floor or wall guides to secure manually operated doors. Padlocking hardware accepts 5/16" (8 mm) diameter shank padlock and features an inside safety release. Kit consists of a tongue that mounts to leading edge of the door and a strike which mounts to the wall. (Padlock not included.)

Rail End Caps of black powder coated steel snap on to ends of rail to fully enclose the operating system. (Standard with 8100 System, optional with 8000 System.)

8100 Premium Basic Track System Ordering Guide

- Rail for selected width
- Pre-cut track and ramps
- 8100 edge-mounting hanger assemblies (2)
- Outside pull handle
- Inside recessed pull handle
- End stops (4)
- Lever handle included with 96" and wider systems

To Order A Complete System:

- Basic or Premium Styliner Track System; specify door opening
- Lower Guide
- Gasket Kit
- Optional Accessories

Part No.	Description
18000000009	Lever Handle
9850000325	Lever Handle (Outside)
18100000001	Rail End Cap and Cover Kit
18600000023	Padlock Kit

8000-09 Lever Handle



8600 Lever Handle (Outside)



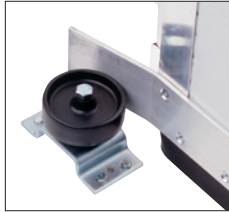
8100-01 Rail End Cap and Cover Kit



8600-23 Padlock Kit



8600-040 Heavy-Duty Floor Guide



Four lower guide options offer choices to satisfy just about any requirement. Select the appropriate lower guide for your application.

8600-040 Heavy-Duty Floor Guide secures large doors in heavy traffic areas. Use with single or bi-parting doors. Features 4" (101 mm) diameter, fully adjustable floor-mounted roller and door-mounted wedge plate.

8600-041 Wide Door Heavy-Duty Floor Guide provides greater stability for wide doors. Consists of heavy duty floor guide with additional roller for leading edge of single door 96" (2438 mm) wide or wider.

8600-042 Tight Seal Heavy-Duty Floor Guide assures ultimate gasket seal for single door freezers and dock doors. Includes single roller heavy duty floor guide with leading edge door-stay to assure ultimate gasket seal. Door-stay consists of wall-mounted strike and door-mounted tongue.

8000-180 Wall Mount Guide takes all barriers off the floor, provides stability and door guidance. Wall-mounted extruded aluminum rail firmly guides the door for smooth operation. Includes door bracket with roller and leading edge door-stay. Recommended for all bi-parting doors and for locations with uneven floors. Specify door width when ordering.

8600-041 Wide Door Heavy-Duty Floor Guide



8600-042 Tight Seal Heavy-Duty Floor Guide



8000-180 Wall Mount Guide



Part No.	Description	Dimensions
18600000040	Heavy-Duty Floor Guide	
18600000041	Lever Handle (Outside)	
18600000042	Tight Seal Heavy-Duty Floor Guide	
18000000018036	Wall Guide (RH)	36" (91.4 cm)
18000000018048	Wall Guide (RH)	48" (121.9 cm)
18000000018072	Wall Guide (RH)	72" (182.9 cm)
18000000018096	Wall Guide (RH)	96" (243.8 cm)
18000000019036	Wall Guide (LH)	36" (91.4 cm)
18000000019048	Wall Guide (LH)	48" (121.9 cm)
18000000019072	Wall Guide (LH)	72" (182.9 cm)
18000000019096	Wall Guide (LH)	96" (243.8 cm)
9800000182	Guide Mechanism (RH)	
9800000183	Guide Mechanism (LH)	
9800000184	Guide Mechanism (Universal)	

Note: Match actual door size to nearest size without going over.

8600 Single Door System

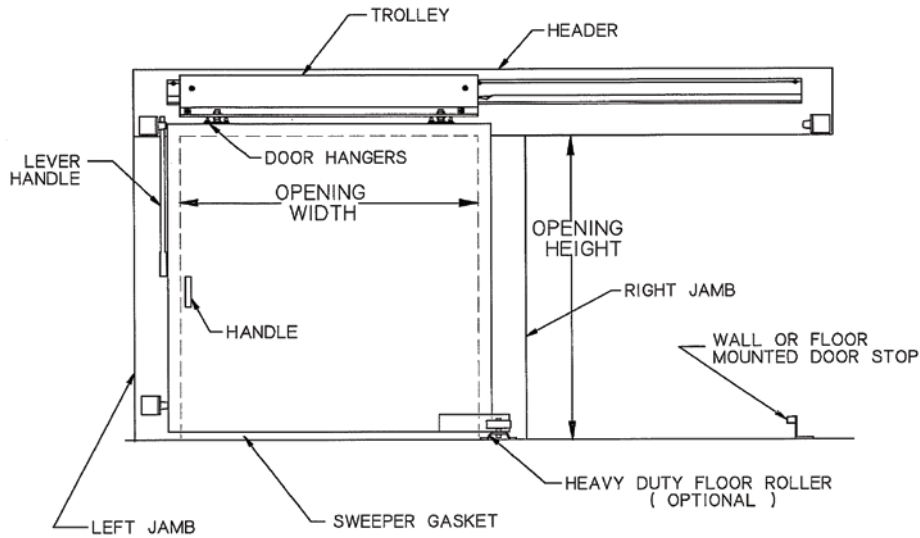


8600 Premier Doorware

- 8600 Single Door - Manual
- 8600 Single Door - Power Operated
- Systems for freezer, cooler, cold storage, warehouse and industrial applications
- Pre-assembled trolley unit simplifies installation, operation and maintenance
- Exclusive integrated design assures smooth-riding, solid-closing doors that stay on track
- Modular equipment lets you configure the systems you need for single or bi-parting doors with manual or power operation
- Heavy duty hardware system carries weight up to 440 lb (200 kg) per door section
- Four lower guide options provide choices to satisfy the most demanding environments
- Select from multiple power drives and accessories to automate your systems

Develop Your Own System

Contact a Kason Customer Service Representative who will help you specify a system to meet your needs.



Single Door System Includes:

- Rail for selected door width
- Pre-cut track and ramps
- Pre-assembled trolley
- Hanger assemblies (2)
- Door stops (4)
- Outside pull handle
- Outside lever handle
- Inside recessed pull handle

Part No.	Description	Dimensions
18600000006048	Single Sliding Doorware	48" (121.9 cm)*
18600000006060	Single Sliding Doorware	60" (152.4 cm)*
18600000006072	Single Sliding Doorware	72" (102.8 cm)*
18600000006096	Single Sliding Doorware	96" (243.8 cm)*
18600000006120	Single Sliding Doorware	120" (304.8 cm)*
18600000006144	Single Sliding Doorware	144" (365.8 cm)*
18600164206036096	Single Sliding Doorware, Freezer (Complete System)	36" x 96" (91.4 x 243.8 cm)
18600164206042096	Single Sliding Doorware, Freezer (Complete System)	42" x 96" (106.7 x 243.8 cm)
18600164206048096	Single Sliding Doorware, Freezer (Complete System)	48" x 96" (121.9 x 243.8 cm)
18600164206060096	Single Sliding Doorware, Freezer (Complete System)	60" x 96" (152.4 x 243.8 cm)
18600164206072096	Single Sliding Doorware, Freezer (Complete System)	72" x 96" (102.8 x 243.8 cm)
18600164206096096	Single Sliding Doorware, Freezer (Complete System)	96" x 96" (243.8 x 243.8 cm)
18600164206096120	Single Sliding Doorware, Freezer (Complete System)	96" x 120" (243.8 x 304.8 cm)
18600164206120120	Single Sliding Doorware, Freezer (Complete System)	120" x 120" (304.8 x 304.8 cm)
18600204206036096	Single Sliding Doorware, Cooler (Complete System)	36" x 96" (91.4 x 243.8 cm)
18600204206042096	Single Sliding Doorware, Cooler (Complete System)	42" x 96" (106.7 x 243.8 cm)
18600204206048096	Single Sliding Doorware, Cooler (Complete System)	48" x 96" (121.9 x 243.8 cm)
18600204206060096	Single Sliding Doorware, Cooler (Complete System)	60" x 96" (152.4 x 243.8 cm)
18600204206072096	Single Sliding Doorware, Cooler (Complete System)	72" x 96" (102.8 x 243.8 cm)
18600204206096096	Single Sliding Doorware, Cooler (Complete System)	96" x 96" (243.8 x 243.8 cm)
18600204206096120	Single Sliding Doorware, Cooler (Complete System)	96" x 120" (243.8 x 304.8 cm)
18600204206120120	Single Sliding Doorware, Cooler (Complete System)	120" x 120" (304.8 x 304.8 cm)

Notes: 8200 Radius Gasket kits are included with the complete systems.

*Width measurement only

8600 Bi-Parting Door System

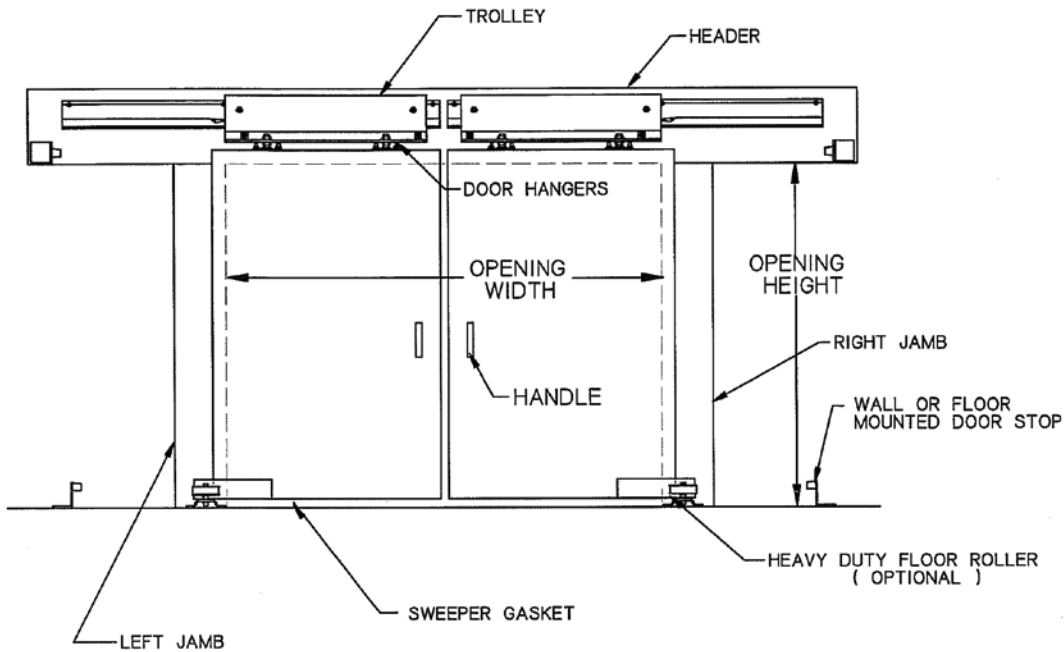


8600 Premier Doorware

- 8600 Bi-Parting Door - Manual
- 8600 Bi-Parting Door - Power Operated
- Systems for freezer, cooler, cold storage, warehouse and industrial applications
- Pre-assembled trolley unit simplifies installation, operation and maintenance
- Exclusive integrated design assures smooth-riding, solid-closing doors that stay on track
- Modular equipment lets you configure the systems you need for single or bi-parting doors with manual or power operation
- Heavy duty hardware system carries weight up to 440 lb (200 kg) per door section
- Four lower guide options provide choices to satisfy the most demanding environments
- Select from multiple power drives and accessories to automate your systems

Develop Your Own System

Contact a Kason Customer Service Representative who will help you specify a system to meet your needs.



Bi-Parting Door System Includes:

- Rail for selected door width
- Pre-cut track and ramps
- Pre-assembled trolleys (2)
- Hanger assemblies (4)
- Door stops (4)
- Outside pull handles (2)
- Inside recessed pull handle

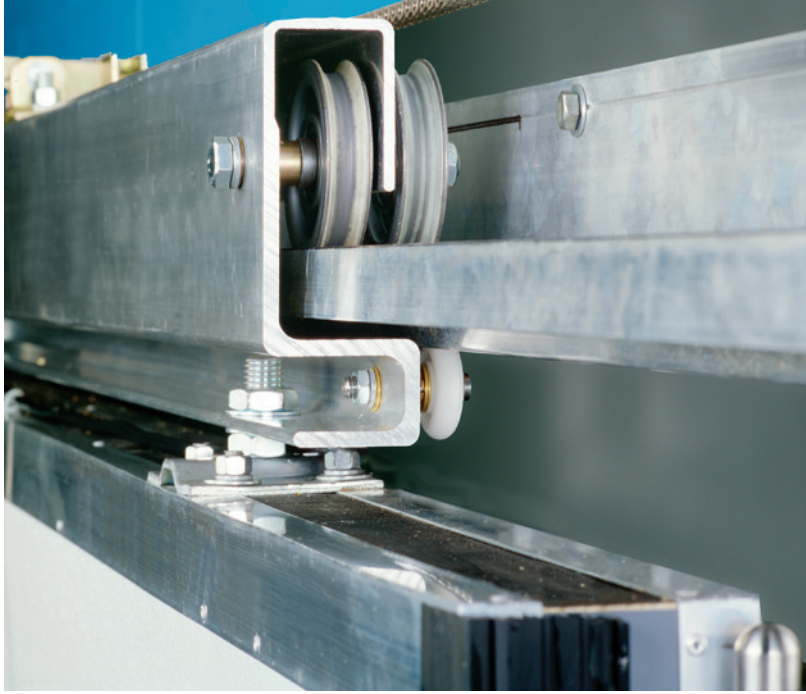
Part No.	Description	Dimensions
1860000008071	Bi-Parting Sliding Doorware	71" (180.3 cm)*
1860000008095	Bi-Parting Sliding Doorware	95" (241.3 cm)*
1860000008119	Bi-Parting Sliding Doorware	119" (302.3 cm)*
1860000008143	Bi-Parting Sliding Doorware	143" (363.2 cm)*
1860000008167	Bi-Parting Sliding Doorware	167" (424.2 cm)*
1860000008192	Bi-Parting Sliding Doorware	192" (487.7 cm)*
18600164208060096	Bi-Parting Sliding Doorware, Freezer (Complete System)	60" x 96" (152.4 x 243.8 cm)
18600164208072096	Bi-Parting Sliding Doorware, Freezer (Complete System)	72" x 96" (102.8 x 243.8 cm)
18600164208096096	Bi-Parting Sliding Doorware, Freezer (Complete System)	96" x 96" (243.8 x 243.8 cm)
18600164208096120	Bi-Parting Sliding Doorware, Freezer (Complete System)	96" x 120" (243.8 x 304.8 cm)
18600164208120096	Bi-Parting Sliding Doorware, Freezer (Complete System)	120" x 96" (304.8 x 243.8 cm)
18600164208120144	Bi-Parting Sliding Doorware, Freezer (Complete System)	120" x 144" (304.8 x 365.8 cm)
18600204208060096	Bi-Parting Sliding Doorware, Freezer (Complete System)	60" x 96" (152.4 x 243.8 cm)
18600204208072096	Bi-Parting Sliding Doorware, Freezer (Complete System)	72" x 96" (102.8 x 243.8 cm)
18600204208096096	Bi-Parting Sliding Doorware, Freezer (Complete System)	96" x 96" (243.8 x 243.8 cm)
18600204208096120	Bi-Parting Sliding Doorware, Freezer (Complete System)	96" x 120" (243.8 x 304.8 cm)
18600204208120096	Bi-Parting Sliding Doorware, Freezer (Complete System)	120" x 96" (304.8 x 243.8 cm)
18600204208120144	Bi-Parting Sliding Doorware, Freezer (Complete System)	120" x 144" (304.8 x 365.8 cm)
18600204208240180	Bi-Parting Sliding Doorware, Freezer (Complete System)	240" x 180" (609.6 x 457.2 cm)

Note: 8200 Radius Gasket kits are included with the complete systems.

*Width measurement only

8600 Series Premium Track System

Trolley System



8600 Track System Features

- Pre-assembled one-piece trolley assembly features heavy extruded aluminum chassis with heavy-duty 3-1/2" (89 mm) diameter nylon-clad stainless steel ball bearing rollers.
- Built-in anti-lift feature and deep-seated rollers prevent derailing and provide stability
- Rail and track are rugged, corrosion-resistant extruded aluminum for quick response and straight, sure tracking even with maximum door load
- Track ramps are tough, smooth acetal for long wear and easy-sliding doors
- "Down-and-in" action provides easier door operation, yet ensures a tight door seal in combination with the selected lower guide option
- Supplied solid steel hangers are built into your top-hung door frame for security and stability
- Micro-leveling allows for vertical door adjustment to maintain door seal, even where floors are uneven or after sweeper gasket is worn. Adjustment nuts are located up front for easy access
- Heavy-duty steel door stops with resilient bumpers cushion door at ends of travel
- Long stainless steel lever handle provides exterior assist for manual door operation. Standard with single door systems
- Large exterior pull handle is standard for all models (chrome-plated, die-cast zinc)
- Steel recessed inside pull handle is included with all models

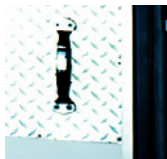
Door Lever Handle



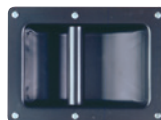
8600-311 Door Stop



Exterior Pull Handle



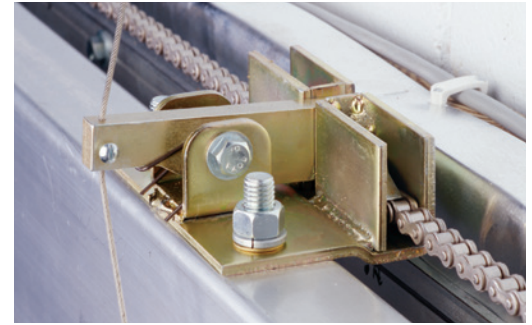
Interior Recessed Handle



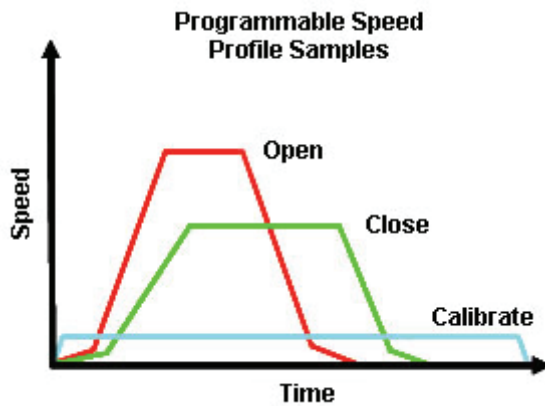
Mounting

8600 systems require a user supplied sub-frame for door thickness 3-1/2" (89 mm) or more

Part No.	Description
9850000325	Outside Door Lever Assembly
9860000311	Door Stop
15001SP0004	Exterior Pull Handle, Chrome
9850000036	Interior Recessed Handle, Flush



Includes chain-disconnect mechanism for manual operation during power outage.



Specifications

Electrical

Voltage: 115, 208, 230, 460, 575 VAC Single 60 Hz (Optional 50 Hz)

Environment

-20°C to 50°C

Output torques

Up to 400 in./lb
RPM: 200 max.

NEMA Rating:

Motor: NEMA 4
Controller: NEMA 1
(Optional: NEMA 4)

UL - ULC Listed

Complete System

Innovative EZ mounting power door drives are your best bet for easy installation and smooth operation. Kason supplies the complete system. Just add power.

Features

- Motor: DC high torque Stepper motor
- Opening speed adjusts up to 36" per second
- Automatic or manual door size calibration
- (7) programmable inputs for loop sensors, ultrasonic sensors, radio control, motion sensors, timers, and more.
- Adjustable time delay automatically recloses door after selected delay time
- Man-door option opens door only 36" and recloses
- 24 VAC to power accessories
- Electronic overload protection; no mechanical clutch required
- Cycle counter
- Openings from 3' (0.91 m) to 16' (4.9 m)

8600 EZ Power Drive Benefits

- Easy, speedy installation and servicing. Compact high torque gear motor and control module require less space and mount quickly
- Automatic force sensing protects door and operator. Auto door travel sensing – no limit switch required
- Adjustable time delay for automatic door closing to save energy
- Zero maintenance, light weight aluminum motor
- Panel mounted OPEN, CLOSE, STOP buttons
- Universal voltage connection

Part No.	Description
18600EZ0200	Power Drive, 115 to 575 V

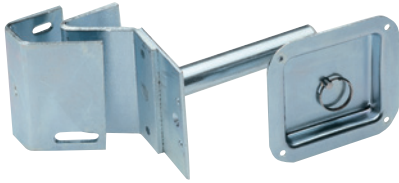


8600 Accessories

8600 Single Padlocking Kit

Locking Mechanism

Accepts 5/16" (8mm) dia. shank Master #1LJ padlock (not included).



Part No.	Description
1860000023	Single Padlocking Kit

8600 Inside Lever

Inside Lever Handle

Assists in opening large single doors from inside.



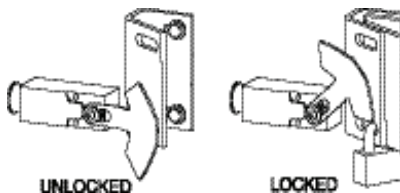
Part No.	Description
18600000354	Inside Lever Handle, 8" Wall
18600000359	Inside Lever Handle, 16" Wall

8600 EZ Power Accessories

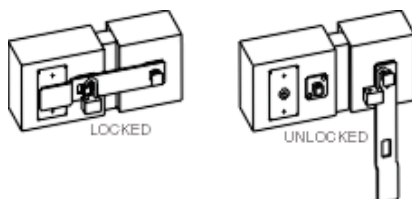
8600 Lanyard and Controls



8600 Single Padlock Switch



8600 Bi-Parting Padlock Switch



Part No.	Description
18600000277	Lanyard Switch, Single, Heated
18600001276	Lanyard Switch, Single
18600000027	Padlock Switch Kit, Single Door
18600000025	Bi-Parting Padlocking Switch

Three-Button Control Station Weatherproof push button control station for use in cold and wet environments. Features OPEN, CLOSE, and STOP control buttons in NEMA 4 plastic enclosure. May be used in tandem with supplied standard station.

Lanyard (Pull-Cord) Switches

Mount switches inside and outside of door. Pull-cords provide easy operation for material handling vehicle driver. Switches are housed in moisture-proof enclosures, and pull cords and handles are made of high-visibility, rot-resistant materials.

Padlock Switch Kits Deactivate power when door is padlocked. Available for single and bi-parting systems.

Safety Feature

All 8600 Systems include a safety switch to prevent motor from operating when door is not engaged with chain, reducing field maintenance calls.

Other Popular Power Accessories

- Heated lanyard switch
- Radio remote controls
- Photoelectric controls
- Vehicle loop detector
- Mid-stop modification for standard power drive (Factory installation required)
- Timed close module for standard power drive
- Motion sensor

Contact a Kason Customer Service Representative for more information about these and other power accessories.