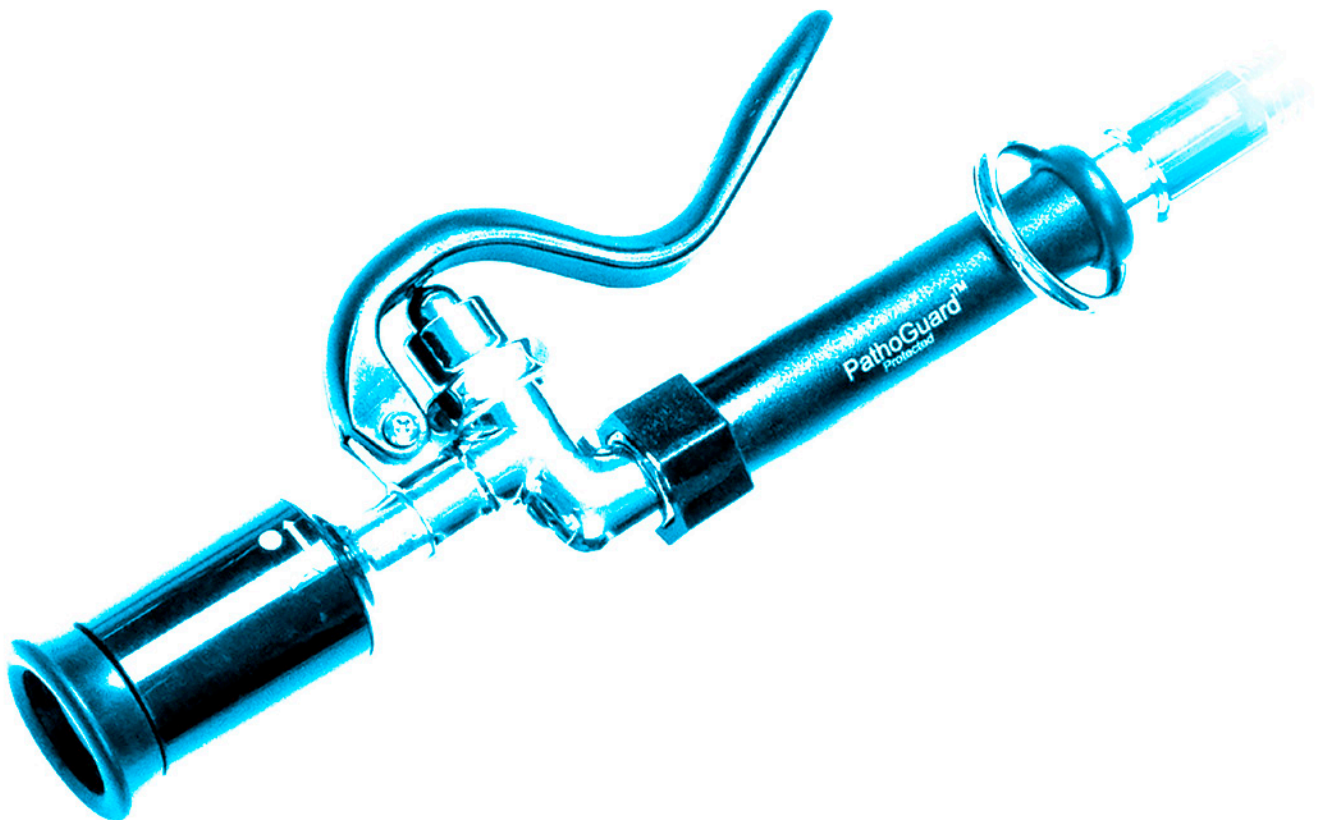




It's Better with Kason.

Plumbing Catalog

1.800.935.2766 | kasonind.com



The Kason Mission

To Protect your Product Integrity

Our customers go to great lengths to build top-of-the-line coolers, freezers, foodservice equipment, industrial enclosures and delivery vans. Our goal is to preserve your product integrity by providing the highest quality door hardware and accessories for both original equipment and replacement applications.

End users need to protect products and processes, and lower operating costs. Their first line of defense is stable, airtight enclosures with doors that open with ease and close securely.

Since 1926, Kason has promised and delivered just that. Kason's extensive lines of walk-in and reach-in door hardware satisfy the most demanding requirements. Demonstrate the value of your products with the most innovative, dependable and longlasting hardware in the business.

Research and Testing

Every Kason product must fulfill our customers' requirements. Before we develop a new product, we research the needs of both our industry and end users. We are never satisfied with the status quo. Our dedicated research and development staff continually search for pioneering design concepts. They insist on engineering integrity, extensive product testing and precise, in-line quality control. That is how we have developed such successful and trustworthy products as SafeGuard® inside releasing safety latches, Pacesetter handles and hinges, stainless steel hinges and latches and truck door handles with removable cylinder locks.

Creative Concepts

Leading equipment manufacturers turn to Kason when they want a unique look of their own. We will adapt a stock product, design custom hardware or partner with your design engineers to develop a signature appearance just for your products. Building special and customized hardware is routine at Kason.

Quality

Kason production facilities boast state-of-the-art installations, featuring fully automated die-casting, polishing and electroplating, as well as a full range of electronically controlled and robotic machinery. We require the finest raw materials, accurate machine tolerances and the highest level of Finishing. Skilled, experienced people maintain the Kason tradition of production excellence. Our unrelenting commitment to superior manufacturing assures you consistently high quality products at the lowest possible cost. Quality assurance is integrated into every step of Kason operations to from engineering research and development through packaging and shipping.

Service

The lifeline to all your foodservice needs is our efficient and friendly Customer Service Department. A representative can quickly track product availability or the status of your order with our computerized inventory and order control system. Count on dependable global delivery as we serve you from Kason distribution centers in the continental United States and Canada as well as through authorized distributors throughout the world.

Our Promise

Satisfying your needs is our top priority. That is why Kason supplies you with hardware and accessories that reflect the same quality you demand in your own products. We strive to demonstrate an attitude that makes you want to do business with us. At Kason we offer a tradition of excellence, a philosophy of innovation and the most trusted name in specialty commercial hardware.

Contacts

USA Sales & Distribution Centers

1.800.93KASON (800.935.2766)

Kason Industries, Inc.

Global Headquarters

57 Amlajack Boulevard | Newnan, GA 30265-1015, USA
800.935.3550 | FAX: 770.251.4854
Info@kasonind.com

Kason Foodservice Division

31 Amlajack Boulevard | Newnan, GA 30265-1015, USA
866.231.2157 | FAX: 770.252.8397
FoodService@kasonind.com

Kason International Division

57 Amlajack Boulevard | Newnan, GA 30265-1015, USA
770.304.3000 | FAX: 770.251.4854
International@kasonind.com

Kason Vinyl Division

31 Amlajack Boulevard | Newnan, GA 30265-1015, USA
800.472.7450 | FAX: 770.252.8397
Vinyl@kasonind.com

Kason Canada Branch

226 Industrial Pkwy North, Unit 2 | Aurora, Ontario, L4G 4C3, Canada
905.713.6515 | FAX: 905.713.6518
Canada@kasonind.com

Kason Central Branch

8889 Whitney Drive | Lewis Center, OH 43035-7106, USA
740.549.2100 | FAX: 740.549.0701
Central@kasonind.com

Kason Mid-America Branch

1239 Atlantic Avenue | Kansas City, MO 64116-4141, USA
816.472.7450 | FAX: 816.472.8580
MidAmerica@kasonind.com

Kason Western Branch

1500 East Wooley Road, Suite E
Oxnard, CA 93030-7385, USA
805.247.1088 | FAX: 805.247.1164
Western@kasonind.com

Catalog Icons



Walk-In



Casters & Caster Legs



Vinyl



Plumbing



Sliding Doors



Cabinet & Cafeteria



Lighting & Electrical



Canopy Hood



Reach-In



Fabrication Supplies



Equipment Legs



Truck Body

| | | | |
|---|-----|--|-----|
| 00TJ Toilet Jack | 334 | 0456KL8000 Series 8" Deck Mount Faucets..... | 318 |
| 0450KL2100 Series Electronic Faucets | 312 | 0457KL0007 Replacement Valve, Hot | |
| 0451-8600 Series Service Sink Faucets | 313 | 0457KL0008 Replacement Valve, Cold | 320 |
| 0451KL0015 Classic Pre-Rinse Spray Valve Assembly (1.2 GPM) | 300 | 0457KL4000 Series 4" Wall Mount Faucets | 319 |
| 0451KL0016 O-Ring Set for Swivel Spout..... | 321 | 0458-1200 Convertible Outlet with Optional Overflow..... | 326 |
| 0451KL0020 Supply Inlet Kit..... | 321 | 0458-5400 Convertible Twist Waste with Outlet | 325 |
| 0451KL0021 Lever Handles Kit | 321 | 0458-7034 Stainless Steel Waste Outlet Handle Support | 325 |
| 0451KL0022 Cross Handles Kit | 321 | 0458-7200 Economy Twist Waste | 325 |
| 0451KL0023 Wrist Blade Handles Kit | 321 | 0459 Series Sink Drains, Washers, and Locknuts..... | 333 |
| 0451KL0024 Replacement Valve, Hot | | 0459 Sink Stoppers..... | 333 |
| 0451KL0025 Replacement Valve, Cold..... | 320 | 0460-2000 Series Nickel Plated Brass Overflow Tubes..... | 334 |
| 0451KL0028/29/30 | 321 | 0463-2000 Series Basket Drains | 330 |
| 0451KL0032 Two-Position Pre-Rinse Spray Valve Assembly (1.2 GPM) | 300 | 0463-2010 Box Drain | 332 |
| 0451KL-39 Mixing Valve | 323 | 0463-2014 Flat Strainer Drain..... | 331 |
| 0451KL-40 Mixing Valve | 323 | 0463-2016 Box Drain | 332 |
| 0451KL0044 Screen Aerator..... | 321 | 0463-3008 Free Flow Drain..... | 331 |
| 0451KL0700 Wall Mount Inlet Kit | 320 | 0463-5000 Tailpieces..... | 330 |
| 0451KL3000 Series Wall Mount Spout Bases..... | 310 | 0464-0001 Swirl Inlet Kit..... | 332 |
| 0451KL4400 Series 4" Low Profile Wall Mount Faucets | 305 | 0465-100 Series Foot Operated Valves..... | 314 |
| 0451KL5000 Add-on Faucets for Aquaware® Elite Spray Rinse Units..... | 300 | 0465-200 Series Knee Operated Valves | 314 |
| 0451KL6812 Wok Faucet | 313 | 7504-202 Dipperwell Assembly | 324 |
| 0451KL8000 Series 8" Wall Mount Faucet | 303 | Aquaware® Elite Faucet Spouts and Extensions..... | 322 |
| 0451KL8500 8" Wall Mount Pre-Rinse | 292 | Aquaware® Elite Quality | 290 |
| 0451KL8600 8" Wall Mount Two Position Pre-Rinse | 294 | Aquaware® Elite Replacement Faucet Parts | 320 |
| 0451KL9000 Series Spout Extensions..... | 300 | Aquaware® Elite Replacement Faucet Parts..... | 321 |
| 0452KL0700 Deck Mount Inlet Kit..... | 320 | Convertible Lever Waste with Overflow Assembly..... | 328 |
| 0452KL1000 Series Double Pantry Faucets | 308 | Convertible Twist Waste with Overflow Assembly..... | 327 |
| 0452KL1500 Double Pantry Pre-Rinse | 297 | Finest Quality, Low Lead Institutional Plumbing Fixtures Provide Dependable Operation and Long Wear | 291 |
| 0452KL1600 Double Pantry Two Position Pre-Rinse | 298 | Gooseneck Swivel Spouts..... | 322 |
| 0452KL2000 Series Single Pantry Faucets..... | 309 | Institutional Faucets..... | 302 |
| 0452KL2500 Single Pantry Pre-Rinse..... | 299 | Pre-Rinse Unit Parts..... | 301 |
| 0452KL3000 Series Deck Mount Spout Bases..... | 311 | Spout Extensions | 322 |
| 0452KL4000 Series 4" Deck Mount Faucets..... | 306 | Swivel Spouts | 322 |
| 0452KL4400 Series Low Profile 4" Deck Mount Faucets | 307 | Waste Outlet Parts and Kits..... | 329 |
| 0452KL4500 4" Deck Mount Pre-Rinse | 296 | | |
| 0452KL8000 Series 8" Deck Mount Faucet | 304 | | |
| 0452KL8500 8" Deck Mount Pre-Rinse | 293 | | |
| 0452KL8600 8" Deck Mount Two Position Pre-Rinse | 295 | | |
| 0455KL0003 Supply Inlet Kit for 0455 Series Faucets..... | 321 | | |
| 0455KL0024 Replacement Valve, Hot | | | |
| 0455KL0025 Replacement Valve, Cold | 320 | | |
| 0455KL8000 Series 8" Wall Mount Faucets | 315 | | |
| 0456KL2000 Series Deck Mount Single Pantry Faucets..... | 316 | | |
| 0456KL4000 Series 4" Deck Mount Faucets..... | 317 | | |



AQUAWARE
ELITE

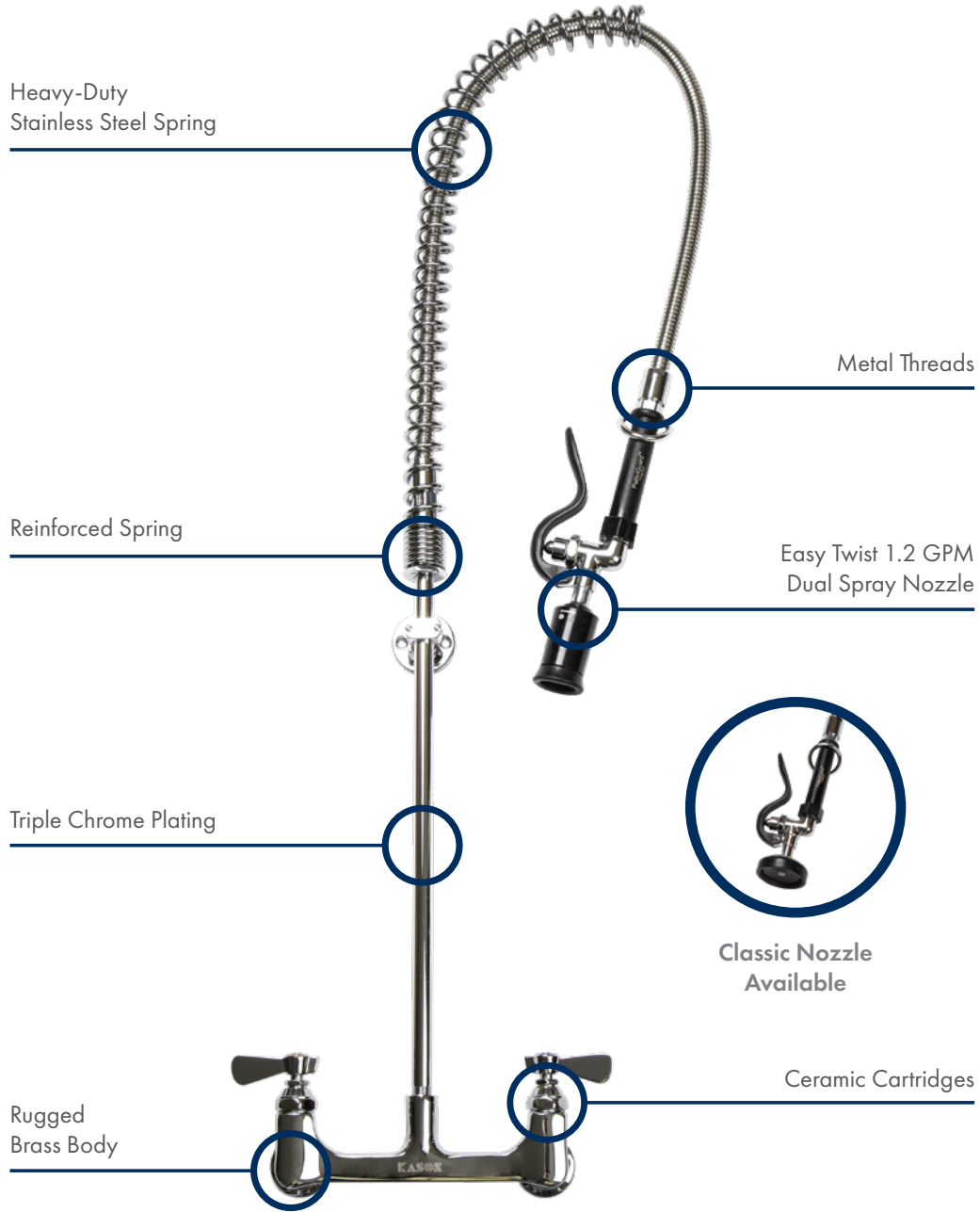
Aquaware Elite Promise

- Institutional quality, heavy-duty pre-rinse units, faucets and replacement parts
- Rugged low lead brass alloy with heavy triple chrome plated finish and stainless steel construction for long life and low maintenance.
- Standard ceramic cartridges
- Laminar flow regulators
- All units 100% leak and function tested
- Certified to NSF 61/9-G and ANSI/ASME A112.18.1/B-125 Mechanical, ADA compliant
- Every Aquaware Elite product is delivered with the Kason quality promise and our 2-year limited warranty
- Count on Kason Foodservice to provide efficient, personalized customer service and dependable delivery

Value of NSF Listing

- U.S. Safe Drinking Water Act requires faucets to meet the lead requirements of NSF/ANSI Standard 61
- All Kason faucets and pre-rinse assemblies are certified by NSF International to this standard
- NSF is the premier, independent, third-party certifier of products affecting public health safety, fitness for use and environmental quality
- NSF is accredited by the American National Standards Institute (ANSI) and the Standards Council of Canada (SCC)
- NSF product certification to Annex G (low lead content) takes into consideration the worst-case potentials for lead content. This is achieved by incorporating the maximum lead content potential for each component and is determined through the material specification used. For example, the lead content specifications for Low lead brass alloys like brass are often provided as a range. It is the maximum value of that range that is used in calculation of weighted average lead content





AQUAWARE[®]

E L I T E

© 2023 Kason Industries, Inc.

0923 LIT 001



0451KL8500 8" Wall Mount Pre-Rinse



AQUAWARE
ELITE

- Heavy-duty institutional quality
- Rugged low-lead brass alloy body with triple chrome plated finish
- Stainless steel covered hose for long life and low maintenance
- 1/4 turn full volume faucet with conservation-compliant 1.2 gpm spray valve
- Ceramic cartridges provide extended product life
- PathoGuard™ antimicrobial treatment protects grip and handle from deterioration, odors, or color change caused by the growth of bacteria or mold
- Includes 12" wall bracket
- 2-year limited warranty

*PathoGuard™ treated products helps prevent odor, staining, and deterioration of product by non-public health mold, bacteria, and fungus. Regular cleaning and sanitization practices are required if public health is a concern.

| Part No. | Description |
|----------------|--|
| 60451KL8500 | 8" Wall Mount Pre-Rinse |
| 60451KL8500512 | 8" Wall Mount Pre-Rinse Assembly with Dual Spray Valve and 12" Add-On Faucet |

Replacement parts shown on page 301

Specifications

Materials

Valve Body: Polished, triple chrome plated, low lead brass alloy valve body; ceramic valve; polished chrome plated brass riser; polished chrome plated high pressure die-cast zinc handles with stainless steel screws

Spray Unit: Polished chrome plated body, bonnet and nozzle; PathoGuard™* antimicrobial polymer grip and handle with brass insert; 42" (1067 mm) flexible Santoprene® hose with stainless steel cover; certified to NSF 61/9-G, US and Canada. Standard 1.2 gpm spray head

Mounting

1/2-14 NPS female eccentric inlets on 8" (203 mm) centers, adjustable ± 1/4", with mounting hardware

Options

Wrist blades available

Optional Add-on Faucets

- Standard ceramic cartridge
- Mounts in line to pre-rinse valve body
- Shares water lines and controls
- Separate valve controls spout flow
- Six swivel spout lengths



Shown on page 300





AQUAWARE
ELITE

- Heavy-duty institutional quality
- Rugged low-lead brass alloy body with triple chrome plated finish
- Stainless steel covered hose for long life and low maintenance
- 1/4 turn full volume faucet with conservation-compliant 1.2 gpm spray valve
- Ceramic cartridges provide extended product life
- PathoGuard™ antimicrobial treatment protects grip and handle from deterioration, odors, or color change caused by the growth of bacteria or mold
- Includes 12" wall bracket
- 2-year limited warranty

*PathoGuard™ treated products helps prevent odor, staining, and deterioration of product by non-public health mold, bacteria, and fungus. Regular cleaning and sanitization practices are required if public health is a concern.

| Part No. | Description |
|-------------------------------------|-------------------------|
| 60452KL8500 | 8" Deck Mount Pre Rinse |
| Replacement parts shown on page 301 | |

Specifications

Materials

Valve Body: Polished, triple chrome plated, low lead brass alloy valve body; ceramic valve; polished chrome plated brass riser; polished chrome plated high pressure die-cast zinc handles with stainless steel screws

Spray Unit: Polished chrome plated body, bonnet and nozzle; PathoGuard™* antimicrobial polymer grip and handle with brass insert; 42" (1067 mm) flexible Santoprene® hose with stainless steel cover; certified to NSF 61/9-G, US and Canada. Standard 1.2 gpm spray head

Mounting

1/2-14 NPS female eccentric inlets on 8" (203 mm) centers

Options

Wrist blades available

Optional Add-on Faucets

- Standard ceramic cartridge
- Mounts in line to pre-rinse valve body
- Shares water lines and controls
- Separate valve controls spout flow
- Six swivel spout lengths



Shown on page 300

© 2023 Kason Industries, Inc.

0923 LIT 001



0451KL8600 8" Wall Mount Two Position Pre-Rinse



AQUAWARE
ELITE

- Heavy-duty institutional quality
- Rugged low-lead brass alloy body with triple chrome plated finish
- Stainless steel covered hose for long life and low maintenance
- 1/4 turn full volume faucet with conservation-compliant 1.2 gpm spray valve
- Ceramic cartridges provide extended product life
- PathoGuard™ antimicrobial treatment protects grip and handle from deterioration, odors, or color change caused by the growth of bacteria or mold
- Includes 12" wall bracket
- 2-year limited warranty

*PathoGuard™ treated products helps prevent odor, staining, and deterioration of product by non-public health mold, bacteria, and fungus. Regular cleaning and sanitization practices are required if public health is a concern.

| Part No. | Description |
|----------------|---|
| 60451KL8600 | 8" Wall Mount Two Position Pre-Rinse |
| 60451KL8600512 | 8" Wall Mount Two Position Pre-Rinse Assembly with Dual Spray Valve and 12" Add-On Faucet |

Replacement parts shown on page 301

Specifications

Materials

Valve Body: Polished, triple chrome plated, low lead brass alloy valve body; ceramic valve; polished chrome plated brass riser; polished chrome plated high pressure die-cast zinc handles with stainless steel screws

Spray Unit: Polished chrome plated body, bonnet and nozzle; PathoGuard™* antimicrobial polymer grip and handle with brass insert; 42" (1067 mm) flexible Santoprene® hose with stainless steel cover; certified to NSF 61/9-G, US and Canada. Standard 1.2 gpm spray head

Mounting

1/2-14 NPS female eccentric inlets on 8" (203 mm) centers, adjustable ± 1/4", with mounting hardware

Options

Wrist blades available

Optional Add-on Faucets

- Standard ceramic cartridge
- Mounts in line to pre-rinse valve body
- Shares water lines and controls
- Separate valve controls spout flow
- Six swivel spout lengths



Shown on page 300





AQUAWARE
ELITE

- Heavy-duty institutional quality
- Rugged low-lead brass alloy body with triple chrome plated finish
- Stainless steel covered hose for long life and low maintenance
- 1/4 turn full volume faucet with conservation-compliant 1.2 gpm spray valve
- Ceramic cartridges provide extended product life
- PathoGuard™ antimicrobial treatment protects grip and handle from deterioration, odors, or color change caused by the growth of bacteria or mold
- Includes 12" wall bracket
- 2-year limited warranty

*PathoGuard™ treated products helps prevent odor, staining, and deterioration of product by non-public health mold, bacteria, and fungus. Regular cleaning and sanitization practices are required if public health is a concern.

| Part No. | Description |
|-------------------------------------|--------------------------------------|
| 60452KL8600 | 8" Wall Mount Two Position Pre-Rinse |
| Replacement parts shown on page 301 | |

Specifications

Materials

Valve Body: Polished, triple chrome plated, low lead brass alloy valve body; ceramic valve; polished chrome plated brass riser; polished chrome plated high pressure die-cast zinc handles with stainless steel screws

Spray Unit: Polished chrome plated body, bonnet and nozzle; PathoGuard™* antimicrobial polymer grip and handle with brass insert; 42" (1067 mm) flexible Santoprene® hose with stainless steel cover; certified to NSF 61/9-G, US and Canada. Standard 1.2 gpm spray head

Mounting

1/2-14 NPS female eccentric inlets on 8" (203 mm) centers, adjustable ± 1/4", with mounting hardware

Options

Wrist blades available

Optional Add-on Faucets

- Standard ceramic cartridge
- Mounts in line to pre-rinse valve body
- Shares water lines and controls
- Separate valve controls spout flow
- Six swivel spout lengths



Shown on page 300

© 2023 Kason Industries, Inc.

0923 LIT 001



ASME A112-18.1/CSA B125.1
NSF-61/9-G

0452KL4500 4" Deck Mount Pre-Rinse



AQUAWARE
ELITE

- Heavy-duty institutional quality
- Rugged low-lead brass alloy body with triple chrome plated finish
- Stainless steel covered hose for long life and low maintenance
- 1/4 turn full volume faucet with conservation-compliant 1.2 gpm spray valve
- Ceramic cartridges provide extended product life
- PathoGuard™ antimicrobial treatment protects grip and handle from deterioration, odors, or color change caused by the growth of bacteria or mold
- Includes 12" wall bracket
- 2-year limited warranty

*PathoGuard™ treated products helps prevent odor, staining, and deterioration of product by non-public health mold, bacteria, and fungus. Regular cleaning and sanitization practices are required if public health is a concern.

| Part No. | Description |
|-------------------------------------|-------------------------|
| 60452KL4500 | 4" Deck Mount Pre-Rinse |
| Replacement parts shown on page 301 | |

Specifications

Materials

Valve Body: Polished, triple chrome plated, low lead brass alloy valve body; ceramic valve; polished chrome plated brass riser; polished chrome plated high pressure die-cast zinc handles with stainless steel screws

Spray Unit: Polished chrome plated body, bonnet and nozzle; PathoGuard™* antimicrobial polymer grip and handle with brass insert; 42" (1067 mm) flexible Santoprene® hose with stainless steel cover; certified to NSF 61/9-G, US and Canada. Standard 1.2 gpm spray head

Mounting

Furnished with 1/2-14 NPS female eccentric inlets on 4" (102 mm) centers

Options

Wrist blades available

Optional Add-on Faucets

- Standard ceramic cartridge
- Mounts in line to pre-rinse valve body
- Shares water lines and controls
- Separate valve controls spout flow
- Six swivel spout lengths



Shown on page 300





AQUAWARE
ELITE

- Heavy-duty institutional quality
- Rugged low-lead brass alloy body with triple chrome plated finish
- Stainless steel covered hose for long life and low maintenance
- 1/4 turn full volume faucet with conservation-compliant 1.2 gpm spray valve
- Ceramic cartridges provide extended product life
- PathoGuard™ antimicrobial treatment protects grip and handle from deterioration, odors, or color change caused by the growth of bacteria or mold
- Includes 12" wall bracket
- 2-year limited warranty

*PathoGuard™ treated products helps prevent odor, staining, and deterioration of product by non public health mold, bacteria, and fungus. Regular cleaning and sanitization practices are required if public health is a concern.

| Part No. | Description |
|-------------------------------------|--|
| 60452KL1500 | Double Pantry Pre-Rinse |
| 60452KL1500512 | Double Pantry Pre-Rinse Assembly and 12" Add-On Faucet |
| Replacement parts shown on page 301 | |

Specifications

Materials

Valve Body: Polished, triple chrome plated, low lead brass alloy valve body; ceramic valve; polished chrome plated brass riser; polished chrome plated high pressure die-cast zinc handles with stainless steel screws

Spray Unit: Polished chrome plated body, bonnet and nozzle; PathoGuard™* antimicrobial polymer grip and handle with brass insert; 42" (1067 mm) flexible Santoprene® hose with stainless steel cover; certified to NSF 61/9-G, US and Canada. Standard 1.2 gpm spray head

Mounting

1/2" NPS male inlets on 4" (102mm) centers, with 1/4" NPT union tail pieces and mounting hardware

Options

Replacement parts shown on Page 301.

Optional Add-on Faucets

- Standard ceramic cartridge
- Mounts in line to pre-rinse valve body
- Shares water lines and controls
- Separate valve controls spout flow
- Six swivel spout lengths



Shown on page 300

© 2023 Kason Industries, Inc.
0923 LIT 001

0452KL1600 Double Pantry Two Position Pre-Rinse



AQUAWARE
ELITE

- Heavy-duty institutional quality
- Rugged low-lead brass alloy body with triple chrome plated finish
- Stainless steel covered hose for long life and low maintenance
- 1/4 turn full volume faucet with conservation-compliant 1.2 gpm spray valve
- Ceramic cartridges provide extended product life
- PathoGuard™ antimicrobial treatment protects grip and handle from deterioration, odors, or color change caused by the growth of bacteria or mold
- Includes 12" wall bracket
- 2-year limited warranty

*PathoGuard™ treated products helps prevent odor, staining, and deterioration of product by non public health mold, bacteria, and fungus. Regular cleaning and sanitization practices are required if public health is a concern.

| Part No. | Description |
|----------------|---|
| 60452KL1600 | Double Pantry Two Position Pre-Rinse |
| 60452KL1600512 | Double Pantry Two Position Pre-Rinse Assembly and 12" Add-On Faucet |

Replacement parts shown on page 301

Specifications

Materials

Valve Body: Polished, triple chrome plated, low lead brass alloy valve body; ceramic valve; polished chrome plated brass riser; polished chrome plated high pressure die-cast zinc handles with stainless steel screws

Spray Unit: Polished chrome plated body, bonnet and nozzle; PathoGuard™* antimicrobial polymer grip and handle with brass insert; 42" (1067 mm) flexible Santoprene® hose with stainless steel cover; certified to NSF 61/9-G, US and Canada. Standard 1.2 gpm spray head

Mounting

1/2" NPS male inlets on 4" (102mm) centers, with 1/4" NPT union tail pieces and mounting hardware

Options

Replacement parts shown on Page 301.

Optional Add-on Faucets

- Standard ceramic cartridge
- Mounts in line to pre-rinse valve body
- Shares water lines and controls
- Separate valve controls spout flow
- Six swivel spout lengths



Shown on page 300





AQUAWARE
ELITE

- Heavy-duty institutional quality
- Rugged low-lead brass alloy body with triple chrome plated finish
- Stainless steel covered hose for long life and low maintenance
- 1/4 turn full volume faucet with conservation-compliant 1.2 gpm spray valve
- Ceramic cartridges provide extended product life
- PathoGuard™ antimicrobial treatment protects grip and handle from deterioration, odors, or color change caused by the growth of bacteria or mold
- Includes 12" wall bracket
- 2-year limited warranty

* PathoGuard™ treated products helps prevent odor, staining, and deterioration of product by non-public health mold, bacteria, and fungus. Regular cleaning and sanitization practices are required if public health is a concern.

Specifications

Materials

Valve Body: Polished, triple chrome plated, low lead brass alloy valve body; ceramic valve; polished chrome plated brass riser; polished chrome plated high pressure die-cast zinc handles with stainless steel screws

Spray Unit: Polished chrome plated body, bonnet and nozzle; PathoGuard™* antimicrobial polymer grip and handle with brass insert; 42" (1067 mm) flexible Santoprene® hose with stainless steel cover; certified to NSF 61/9-G, US and Canada. Standard 1.2 gpm spray head

Mounting

1/2" NPS male inlet with 1/4" NPT union tail piece and mounting hardware

Optional Add-on Faucets

- Standard ceramic cartridge
- Mounts in line to pre-rinse valve body
- Shares water lines and controls
- Separate valve controls spout flow
- Six swivel spout lengths



Shown on page 300

| Part No. | Description |
|-------------------------------------|-------------------------|
| 60452KL2500 | Single Pantry Pre-Rinse |
| Replacement parts shown on page 301 | |



0451 KL5000 Add-on Faucets for Aquaware® Elite Spray Rinse Units



- Mounts in line to pre-rinse valve body
- Shares water lines and controls
- Separate valve controls spout flow
- Six swivel spout lengths and three gooseneck lengths
- Spout extensions available in two lengths

Specifications

Materials

Triple chrome plated low lead brass alloy valve body; low lead brass valve stem; ceramic valve; polished chrome finished tubular low lead brass spouts; polished chrome finished high pressure die-cast zinc handle with stainless steel screws

Mounting

Between faucet body and riser

0451 KL9000 Series Spout Extensions

0451 KL9001



0451 KL9002



See details and additional spouts on page 322

0451 KL0015 Classic Pre-Rinse Spray Valve Assembly (1.2 GPM)



0451 KL0032 Two-Position Pre-Rinse Spray Valve Assembly (1.2 GPM)



First Position



Second Position

Specifications

Material

Copper alloy valve mechanism, body, bonnet and nozzle. Polymer grip handle, lever handle and spray face

Finish

Polished chrome plated body, bonnet and nozzle

| Part No. | Description | Height |
|-------------|---|------------------|
| 60451KL5006 | Add-on Faucet with 6" (152 mm) Swivel Spout | 1-5/8" (42 mm) |
| 60451KL5008 | Add-on Faucet with 8" (203 mm) Swivel Spout | 1-15/16" (49 mm) |
| 60451KL5010 | Add-on Faucet with 10" (254 mm) Swivel Spout | 2-15/16" (75 mm) |
| 60451KL5012 | Add-on Faucet with 12" (305 mm) Swivel Spout | 2-9/16" (65 mm) |
| 60451KL5014 | Add-on Faucet with 14" (356 mm) Swivel Spout | 3-3/16" (81 mm) |
| 60451KL5016 | Add-on Faucet with 16" (406 mm) Swivel Spout | 3-3/16" (81 mm) |
| 60451KL0015 | Classic Pre-Rinse Spray Valve Assembly (1.2 GPM) | |
| 60451KL0032 | Two Position Pre-Rinse Spray Valve Assembly (1.2 GPM) | |
| 60451KL9001 | Spout Extension | 6" (152 mm) |
| 60451KL9002 | Spout Extension | 12" (305 mm) |
| 60451KL9003 | Spout Extension | 10" (254 mm) |
| 60451KL9006 | Spout | 6" (152 mm) |
| 60451KL9008 | Spout | 8" (203.2 mm) |

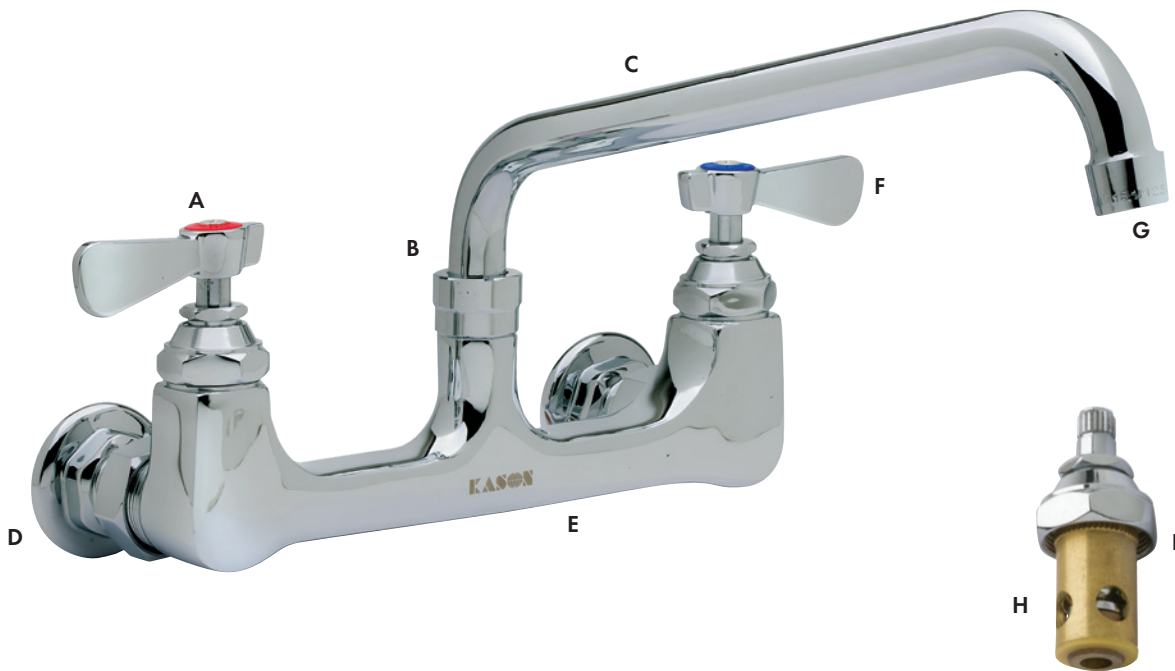


| Part No. | Description | Height |
|---------------|--|-----------------|
| 60451KL0001 | Riser | 18" (457 mm) |
| 60451KL0002 | Wall Bracket | 12" (305 mm) |
| 60451KL0003 | Chrome Plated Spring | |
| 60451KL0004 | Stainless Steel Spring | 2-9/16" (65 mm) |
| 60451KL0024 | Replacement Valve, Hot | |
| 60451KL0025 | Replacement Valve, Cold | |
| 60451KL0009 | Pre Rinse Hose Assembly | 44" (1118 mm) |
| 60451KL000960 | Pre Rinse Hose Assembly | 60" (1524 mm) |
| 60451KL000972 | Pre Rinse Hose Assembly | 72" (1829 mm) |
| 60451KL000996 | Pre Rinse Hose Assembly | 96" (2438 mm) |
| 60451KL0010 | Stainless Steel Pre-Rinse Hose with Handle | 44" (1118 mm) |
| 60451KL001060 | Stainless Steel Pre-Rinse Hose with Handle | 60" (1524 mm) |
| 60451KL001072 | Stainless Steel Pre-Rinse Hose with Handle | 72" (1829 mm) |
| 60451KL001096 | Stainless Steel Pre-Rinse Hose with Handle | 96" (2438 mm) |
| 60451KL0011 | Spray Valve Repair Kit | |
| 60451KL0012 | Spray Valve Kit Includes PathoGuard™ treated handle and grip | |
| 60451KL0020 | Supply Inlet Kit For 451 and 452 faucets | |
| 60451KL0021 | Faucet Handle Kit Includes two, chrome plated standard handles, hot and cold indicators and mounting screws | |
| 60451KL0022 | Cross Handles Kit Includes two, chrome plated standard handles, hot and cold indicators and mounting screws | |
| 60451KL0023 | Wrist Blade Handles Kit Includes two, 4", chrome plated wrist handles, hot and cold indicators and screws | |
| 60451KL0700 | Wall Mount Inlet Kit Simplifies wall faucet installation in standard backsplash space. Includes two each of 1/2" NPS nipples, 1/2" NPT street wells, washers and locknuts | |
| 60452KL0700 | Deck Mount Inlet Kit Simplifies deck faucet installation. Includes two each 1/2" NPS nipples, washers and locknuts | |

*PathoGuard™ treated products helps prevent odor, staining, and deterioration of product by non public health mold, bacteria and fungus. Regular cleaning and sanitization practices are required if public health is concern.

Institutional Faucets

Institutional Quality, Low Lead Institutional Plumbing Fixtures Provide Dependable Operation and Long Wear



A. Quarter Turn Full on Ceramic Valves

Standard on all Aquaware Elite faucets and pre-rinse units

B. Low Lead Brass Alloy Spout Bushings

Brass bushings and internal shoulder for greater stability. Bushings feature double sealing, self lubricating O-rings to stop leakage

C. Low Lead Brass Alloy Tubular Spout

Heavy gauge brass tubing is finished with triple chrome plating

D. Eccentric Mounting Flange

Easier, faster mounting with self-positioning inlet

E. Faucet Body

Rugged low lead brass alloy construction with triple chrome plate finish for long life and low maintenance

F. Easy-Grip Handles

Contoured handles make operation easier with wet or soapy hands. International color-coded indicators are standard

G. Water Saving Aerator

Standard on all Kason Aquaware Elite faucets

H. Valve Stem

Standard ceramic cartridges with built-in check valve to prevent cross flow between hot and cold water inlets

I. Valve Seat

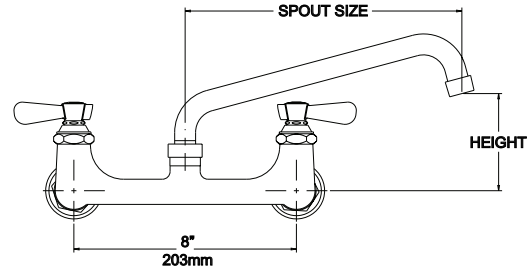
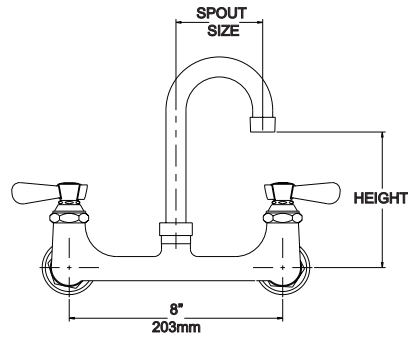
Features longer-lasting quarter turn ceramic valve with built-in check available

Warranty

All Kason Aquaware Elite plumbing fixtures carry our 2-year limited warranty



0451KL8000 Series 8" Wall Mount Faucet



- Specification grade faucets for years of dependable performance
- Rugged low-lead brass alloy body with triple chrome plated finish for long life and low maintenance
- Equipped with ceramic cartridges for increased performance and extended product life
- 2-year limited warranty

Specifications

Materials

Polished, triple chrome plated low lead brass alloy valve body; ceramic valve; polished chrome finished tubular brass spouts; polished chrome finished high pressure die-cast zinc handles with stainless steel screws

Mounting

1/2-14 NPS female eccentric inlets on 8" (204 mm) centers, adjustable ± 1/4". Kit sold separately

Options

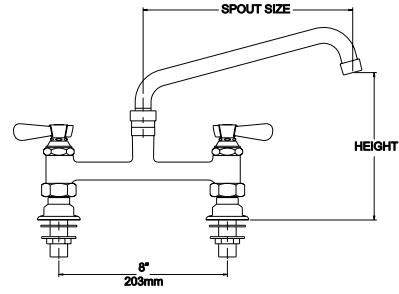
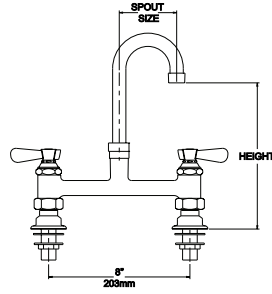
Wrist blades available

| Part No. | Description | Height |
|-------------|--|------------------|
| 60451KL8001 | 8" Wall Faucet with 3-1/2" (89 mm) Gooseneck Swivel Spout | 5-7/8" (149 mm) |
| 60451KL8002 | 8" Wall Faucet with 6" (152 mm) Gooseneck Swivel Spout | 6-1/16" (154 mm) |
| 60451KL8003 | 8" Wall Faucet with 8-1/2" (216 mm) Gooseneck Swivel Spout | 9-7/8" (239 mm) |
| 60451KL8006 | 8" Wall Faucet with 6" (152 mm) Swivel Spout | 2-9/16" (65 mm) |
| 60451KL8008 | 8" Wall Faucet with 8" (203 mm) Swivel Spout | 2-13/16" (72 mm) |
| 60451KL8010 | 8" Wall Faucet with 10" (254 mm) Swivel Spout | 3-3/4" (95 mm) |
| 60451KL8012 | 8" Wall Faucet with 12" (305 mm) Swivel Spout | 3-1/2" (88 mm) |
| 60451KL8014 | 8" Wall Faucet with 14" (356 mm) Swivel Spout | 4-1/8" (104 mm) |
| 60451KL8016 | 8" Wall Faucet with 16" (406 mm) Swivel Spout | 4-1/8" (104 mm) |
| 60451KL8118 | 8" Wall Faucet with 18" (457 mm) Double-jointed Spout | 5-7/16" (144 mm) |

Replacement parts shown on pages 320 - 321



0452KL8000 Series 8" Deck Mount Faucet



- Specification grade faucets for years of dependable performance
- Rugged low lead brass alloy body with triple chrome plate finish for long life and low maintenance
- Standard ceramic cartridge
- 2-year limited warranty

Specifications

Materials

Triple chrome plated low lead brass alloy valve body; Low lead brass valve stem; ceramic valve; polished chrome finished tubular brass spouts; polished chrome finished high pressure zinc die-cast handles with stainless steel screws.

Mounting

1/2-14 NPS male on 4" (102 mm) centers, with mounting hardware

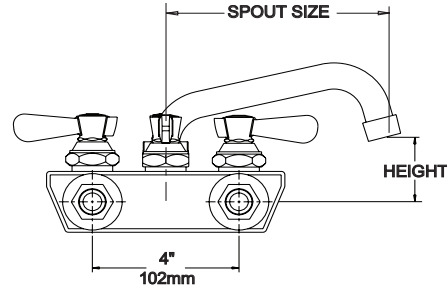
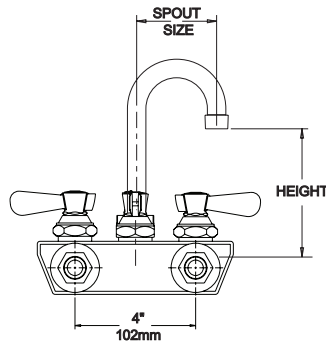
Options

Wrist blades available

| Part No. | Description | Height |
|-------------|--|------------------|
| 60452KL8001 | 8" Deck Faucet with 3-1/2" (89 mm) Gooseneck Swivel Spout | 8-3/16" (208 mm) |
| 60452KL8002 | 8" Deck Faucet with 6" (152 mm) Gooseneck Swivel Spout | 8-3/8" (212 mm) |
| 60452KL8003 | 8" Deck Faucet with 8-1/2" (216 mm) Gooseneck Swivel Spout | 11-3/4" (298 mm) |
| 60452KL8006 | 8" Deck Faucet with 6" (152 mm) Swivel Spout | 4-7/8" (124 mm) |
| 60452KL8008 | 8" Deck Faucet with 8" (203 mm) Swivel Spout | 5-1/4" (131 mm) |
| 60452KL8010 | 8" Deck Faucet with 10" (254 mm) Swivel Spout | 6-1/16" (154 mm) |
| 60452KL8012 | 8" Deck Faucet with 12" (305 mm) Swivel Spout | 5-3/4" (147 mm) |
| 60452KL8014 | 8" Deck Faucet with 14" (356 mm) Swivel Spout | 6-7/16" (163 mm) |
| 60452KL8016 | 8" Deck Faucet with 16" (406 mm) Swivel Spout | 6-7/16" (163 mm) |
| 60452KL8118 | 8" Wall Faucet with 18" (457 mm) Double-jointed Spout | 8" (203 mm) |

Replacement parts shown on page 320 - 321





- Specification grade faucets for years of dependable performance
- Rugged low lead brass alloy body with triple chrome plate finish for long life and low maintenance
- Low lead brass valve stem and seat use urethane bibb type washer
- 2-year limited warranty

Specifications

Materials

Polished, triple chrome plated low lead brass alloy valve body; low lead brass valve stem; ceramic valve; polished chrome finished tubular brass spouts; polished chrome finished high pressure die-cast zinc handles with stainless steel screws

Mounting

1/2-14 NPS male inlets on 4" (102 mm) centers with mounting hardware

Options

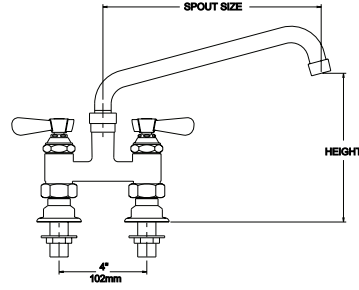
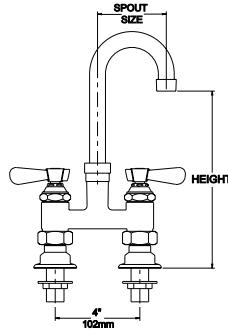
Wrist blades available

| Part No. | Description | Height |
|-------------|--|-------------------|
| 60451KL4401 | 4" Wall Faucet with 3-1/2" (89 mm) Gooseneck Swivel Spout | 5-1/8" (130 mm) |
| 60451KL4402 | 4" Wall Faucet with 6" (152 mm) Gooseneck Swivel Spout | 6-31/32" (177 mm) |
| 60451KL4403 | 4" Wall Faucet with 8-1/2" (216 mm) Gooseneck Swivel Spout | 8-23/32" (221 mm) |
| 60451KL4406 | 4" Wall Faucet with 6" (152 mm) Swivel Spout | 1-27/32" (47 mm) |
| 60451KL4408 | 4" Wall Faucet with 8" (203 mm) Swivel Spout | 2-21/32" (67 mm) |
| 60451KL4410 | 4" Wall Faucet with 10" (254 mm) Swivel Spout | 3-17/32" (90 mm) |
| 60451KL4412 | 4" Wall Faucet with 12" (305 mm) Swivel Spout | 3-31/32" (101 mm) |

Replacement parts shown on page 320 - 321



0452KL4000 Series 4" Deck Mount Faucets



- Specification grade faucets for years of dependable performance
- Rugged low lead brass alloy body with triple chrome plated finish for long life and low maintenance
- Standard ceramic cartridge
- 2-year limited warranty

Specifications

Materials

Triple chrome plated low lead brass alloy valve body; ceramic valve; polished chrome finished tubular brass spouts; polished chrome finished high pressure die-cast zinc handles with stainless steel screws

Mounting

1/2-14 NPS male on 4" (102 mm) centers, with mounting hardware

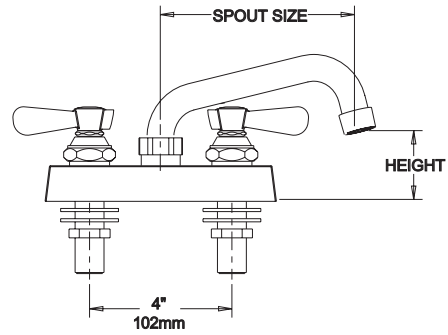
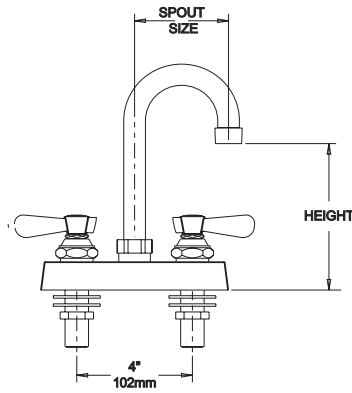
Options

Wrist blades available

| Part No. | Description | Height |
|-------------|--|------------------|
| 60452KL4001 | 4" Deck Faucet with 3-1/2" (89 mm) Gooseneck Swivel Spout | 8-3/16" (208 mm) |
| 60452KL4002 | 4" Deck Faucet with 6" (152 mm) Gooseneck Swivel Spout | 8-3/8" (212 mm) |
| 60452KL4003 | 4" Deck Faucet with 8-1/2" (216 mm) Gooseneck Swivel Spout | 11-3/4" (298 mm) |
| 60452KL4006 | 4" Deck Faucet with 6" (152 mm) Swivel Spout | 4-7/8" (124 mm) |
| 60452KL4008 | 4" Deck Faucet with 8" (203 mm) Swivel Spout | 5-1/4" (131 mm) |
| 60452KL4010 | 4" Deck Faucet with 10" (254 mm) Swivel Spout | 6-1/16" (154 mm) |
| 60452KL4012 | 4" Deck Faucet with 12" (305 mm) Swivel Spout | 5-3/4" (147 mm) |
| 60452KL4014 | 4" Deck Faucet with 14" (356 mm) Swivel Spout | 6-7/16" (163 mm) |
| 60452KL4016 | 4" Deck Faucet with 16" (406 mm) Swivel Spout | 6-7/16" (163 mm) |
| 60452KL4118 | 4" Deck Faucet with 18" (457 mm) Double-jointed Swivel Spout | 8" (203 mm) |

Replacement parts shown on page 320 - 321





- Specification grade faucets for years of dependable performance
- Rugged low lead brass alloy body with triple chrome plated finish for long life and low maintenance
- Low lead brass valve stem and ceramic cartridge
- 2-year limited warranty

Specifications

Materials

Triple chrome plated low lead brass alloy valve body; low lead brass valve stem; ceramic valve; polished chrome finished tubular brass spouts; polished chrome finished high pressure die-cast zinc handles with stainless steel screws

Mounting

1/2-14 NPS male eccentric inlets on 4" (102 mm) centers, with mounting hardware

Options

Wrist blades available

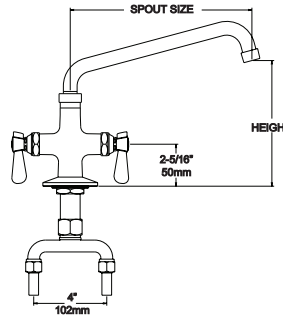
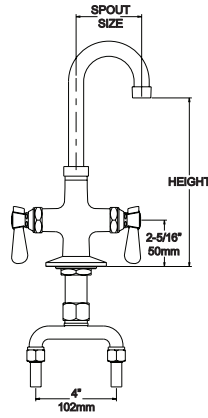
| Part No. | Description | Height |
|-------------|--|-------------------|
| 60452KL4401 | 4" Deck Faucet with 3-1/2" (89 mm) Gooseneck Swivel Spout | 5-3/16" (132 mm) |
| 60452KL4402 | 4" Deck Faucet with 6" (152 mm) Gooseneck Swivel Spout | 7-1/8" (180 mm) |
| 60452KL4403 | 4" Deck Faucet with 8-1/2" (216 mm) Gooseneck Swivel Spout | 8-13/16" (223 mm) |
| 60452KL4406 | 4" Deck Faucet with 6" (152 mm) Swivel Spout | 1-15/16" (49 mm) |
| 60452KL4408 | 4" Deck Faucet with 8" (203 mm) Swivel Spout | 2-11/16" (68 mm) |
| 60452KL4410 | 4" Deck Faucet with 10" (254 mm) Swivel Spout | 3-5/8" (92 mm) |
| 60452KL4412 | 4" Deck Faucet with 12" (305 mm) Swivel Spout | 4" (102 mm) |

Replacement parts shown on page 320 - 321

© 2023 Kason Industries, Inc.
0923 LIT 001



0452KL1000 Series Double Pantry Faucets



- Specification grade faucets for years of dependable performance
- Rugged low lead brass alloy body with triple chrome plated finish for long life and low maintenance
- Low lead brass valve stem and seat use urethane bibb type washer
- 2-year limited warranty

Specifications

Materials

Triple chrome plated low lead brass alloy valve body; low lead brass valve stem; ceramic valve; polished chrome finished tubular brass spouts; polished chrome finished high pressure die-cast zinc handles with stainless steel screws

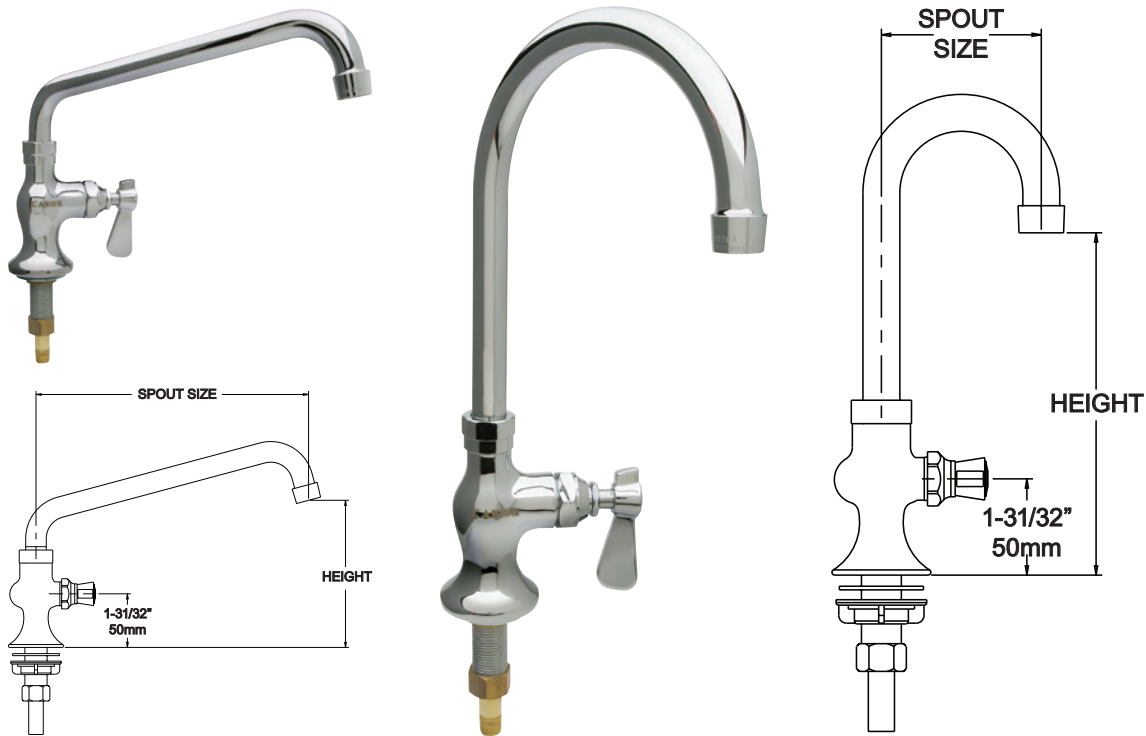
Mounting

1/2" NPS male inlet with 1/4" NPT union tail piece and mounting hardware

| Part No. | Description | Height |
|-------------|--|------------------|
| 60452KL1001 | Double Pantry Faucet with 3-1/2" (89 mm) Gooseneck Swivel Spout | 8-3/16" (208 mm) |
| 60452KL1002 | Double Pantry Faucet with 6" (152 mm) Gooseneck Swivel Spout | 8-3/8" (212 mm) |
| 60452KL1003 | Double Pantry Faucet with 8-1/2" (216 mm) Gooseneck Swivel Spout | 11-3/4" (298 mm) |
| 60452KL1006 | Double Pantry Faucet with 6" (152 mm) Swivel Spout | 4-7/8" (124 mm) |
| 60452KL1008 | Double Pantry Faucet with 8" (203 mm) Swivel Spout | 5-1/4" (131 mm) |
| 60452KL1010 | Double Pantry Faucet with 10" (254 mm) Swivel Spout | 6-1/16" (154 mm) |
| 60452KL1012 | Double Pantry Faucet with 12" (305 mm) Swivel Spout | 5-3/4" (147 mm) |
| 60452KL1014 | Double Pantry Faucet with 14" (356 mm) Swivel Spout | 6-7/16" (163 mm) |
| 60452KL1016 | Double Pantry Faucet with 16" (356 mm) Swivel Spout | 6-7/16" (163 mm) |
| 60452KL1118 | Double Pantry with 18" (457 mm) Double-jointed Swivel Spout | 8" (203 mm) |

Replacement parts shown on page 320 - 321





- Specification grade faucets for years of dependable performance
- Rugged low lead brass alloy body with triple chrome plated finish for long life and low maintenance
- Low lead brass valve stem and seat use urethane bibb type washer
- 2-year limited warranty

Specifications

Materials

Triple chrome plated low lead brass alloy valve body; Low lead brass valve stem; ceramic valve; polished chrome finished tubular brass spouts; polished chrome finished high pressure zinc die-cast handles with stainless steel screws

Mounting

1/2" NPS male inlet with 1/4" NPT union tail piece and mounting hardware

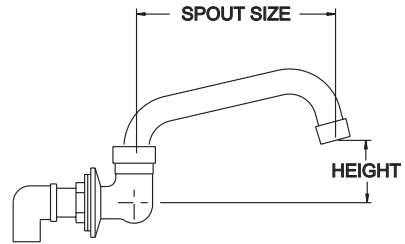
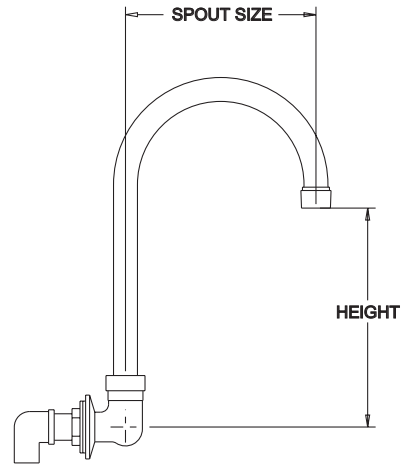
| Part No. | Description | Height |
|-------------|--|--------------------|
| 60452KL2001 | Single Pantry Faucet with 3-1/2" (89 mm) Gooseneck Swivel Spout | 7-5/8" (194 mm) |
| 60452KL2002 | Single Pantry Faucet with 6" (152 mm) Gooseneck Swivel Spout | 7-13/16" (199 mm) |
| 60452KL2003 | Single Pantry Faucet with 8-1/2" (216 mm) Gooseneck Swivel Spout | 11-13/16" (284 mm) |
| 60452KL2006 | Single Pantry Faucet with 6" (152 mm) Swivel Spout | 4-5/16" (110 mm) |
| 60452KL2008 | Single Pantry Faucet with 8" (203 mm) Swivel Spout | 4-5/8" (117 mm) |
| 60452KL2010 | Single Pantry Faucet with 10" (254 mm) Swivel Spout | 5-1/2" (140 mm) |
| 60452KL2012 | Single Pantry Faucet with 12" (305 mm) Swivel Spout | 5-1/4" (133 mm) |
| 60452KL2014 | Single Pantry Faucet with 14" (356 mm) Swivel Spout | 5-7/8" (149 mm) |
| 60452KL2016 | Single Pantry Faucet with 16" (356 mm) Swivel Spout | 5-7/8" (149 mm) |
| 60452KL2118 | Single Pantry Faucet with 18" (457 mm) Double-jointed Swivel Spout | 7-7/16" (189 mm) |

Replacement parts shown on page 320 - 321



© 2023 Kason Industries, Inc. 0923 LIT 001

0451 KL3000 Series Wall Mount Spout Bases



- Specification grade faucets for years of dependable performance
- Rugged low lead brass alloy body with triple chrome plated finish for long life and low maintenance
- 2-year limited warranty

Specifications

Materials

Triple chrome plated low lead brass alloy valve body, ceramic valve; polished chrome finished tubular brass spouts

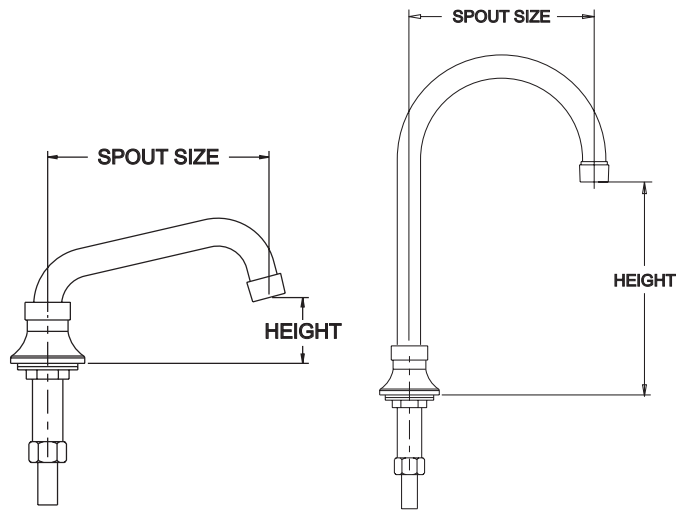
Mounting

1/2" NPS female inlet, nipple, street well and mounting hardware

| Part No. | Description | Height |
|-------------|---|-------------------|
| 60451KL3001 | Wall Spout Base with 3-1/2" (89 mm) Gooseneck Swivel Spout | 4-29/32" (124 mm) |
| 60451KL3002 | Wall Spout Base with 6" (152 mm) Gooseneck Swivel Spout | 6-3/4" (171 mm) |
| 60451KL3003 | Wall Spout Base with 8-1/2" (216 mm) Gooseneck Swivel Spout | 8-15/32" (215 mm) |
| 60451KL3006 | Wall Spout Base with 6" (152 mm) Swivel Spout | 1-5/8" (41 mm) |
| 60451KL3008 | Wall Spout Base with 8" (203 mm) Swivel Spout | 2-13/32" (61 mm) |
| 60451KL3010 | Wall Spout Base with 10" (254 mm) Swivel Spout | 3-5/16" (133 mm) |
| 60451KL3012 | Wall Spout Base with 12" (305 mm) Swivel Spout | 3-23/32" (94 mm) |
| 60451KL3014 | Wall Spout Base with 14" (356 mm) Swivel Spout | 4-5/32" (106 mm) |
| 60451KL3016 | Wall Spout Base with 16" (356 mm) Swivel Spout | 4-15/32" (117 mm) |

Replacement parts shown on page 320 - 321





- Specification grade faucets for years of dependable performance
- Rugged low lead brass alloy body with triple chrome plated finish for long life and low maintenance
- 2-year limited warranty

Specifications

Materials

Triple chrome plated low lead brass alloy valve body, ceramic valve; polished chrome finished tubular brass spouts

Mounting

1/2" NPS male inlet with 1/4" NPT union tail piece and mounting hardware

| Part No. | Description | Height |
|-------------|---|-------------------|
| 60452KL3001 | Deck Spout Base with 3-1/2" (89 mm) Gooseneck Swivel Spout | 4-29/32" (124 mm) |
| 60452KL3002 | Deck Spout Base with 6" (152 mm) Gooseneck Swivel Spout | 6-3/4" (171 mm) |
| 60452KL3003 | Deck Spout Base with 8-1/2" (216 mm) Gooseneck Swivel Spout | 8-15/32" (215 mm) |
| 60452KL3006 | Deck Spout Base with 6" (152 mm) Swivel Spout | 1-5/8" (41 mm) |
| 60452KL3008 | Deck Spout Base with 8" (203 mm) Swivel Spout | 2-13/32" (61 mm) |
| 60452KL3010 | Deck Spout Base with 10" (254 mm) Swivel Spout | 3-5/16" (133 mm) |
| 60452KL3012 | Deck Spout Base with 12" (305 mm) Swivel Spout | 3-23/32" (94 mm) |
| 60452KL3014 | Deck Spout Base with 14" (356 mm) Swivel Spout | 4-5/32" (106 mm) |
| 60452KL3016 | Deck Spout Base with 16" (356 mm) Swivel Spout | 4-15/32" (117 mm) |

Replacement parts shown on page 320 - 321

© 2023 Kason Industries, Inc.

0923 LIT 001



0450KL2100 Series Electronic Faucets



- Sensor activated, hands free operation
- Durable chrome plated brass faucet body
- AC/DC waterproof control module
- Temperature control mixing valve
- Low-battery indicator light
- ADA compliant
- Sensor range adjustment
- Auto time-out adjustment
- Water shut-off delay adjustment
- Hot and cold supply lines included
- Easy to install; installation guide included
- 1-year limited warranty

Specifications

Materials

Chrome plated brass faucet body and tubular gooseneck spout; flexible stainless steel hoses

Mounting

Deck: For use on counters up to 2-1/4" (57 mm) thick. Requires 5/8" (16 mm) diameter mounting hole

Wall: Suitable for surfaces up to 1-15/16" (49 mm) thick. Requires 1" (25 mm) diameter mounting hole

Controls

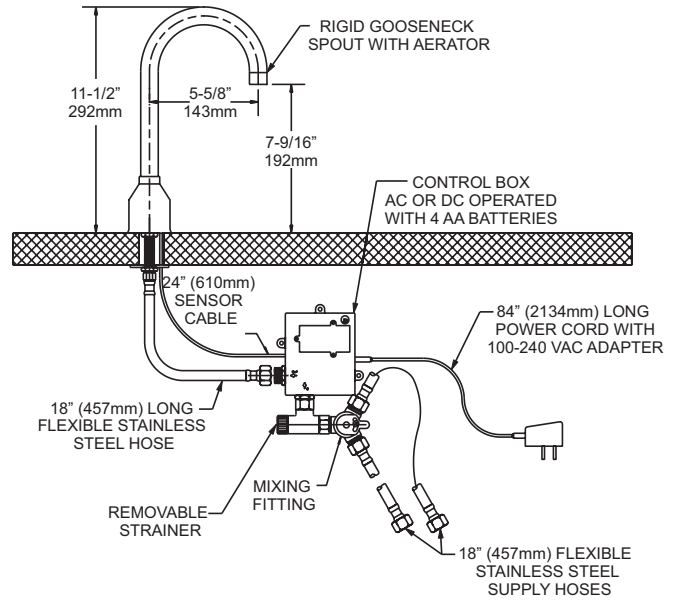
AC or DC operated with 4 AA batteries; 3-5/8" x 4-3/16" x 2" (92 x 106 x 50 mm) control module box; 24" (610 mm) sensor cable; 84" (2133 mm) long power cord with 100-240 VAC adapter

Spout

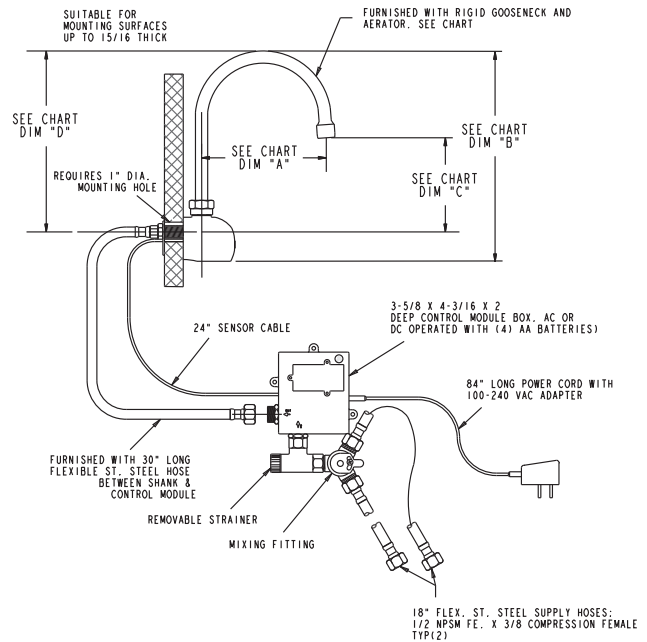
Rigid gooseneck converts to swivel action

| Part No. | Description |
|-------------|---|
| 60450KL2100 | Deck Mount |
| 60450KL2101 | Wall Mount, 6-3/8" Gooseneck Spout |
| 60450KL2102 | Wall Mount, 3-1/2" Gooseneck Spout |
| 60450KL2103 | Wall Mount, 8-1/2" Gooseneck Spout |
| 60450KL2110 | Supply Line, 18", 1/4" NPSM Outlet, 1/2" NPSM Inlet, Blue Trace |
| 60450KL2111 | Supply Line, 18", 1/4" NPSM Outlet, 1/2" NPSM Inlet, Red Trace |
| 60450KL2112 | Supply Line, 30", 3/8" NPSM Outlet, 1/2" NPSM Inlet |
| 60450KL2113 | Supply Line, 18", 1/2" NPSM Outlet, 1/2" NPSM Inlet |
| 60450KL2150 | Electronic Faucet Control Box |

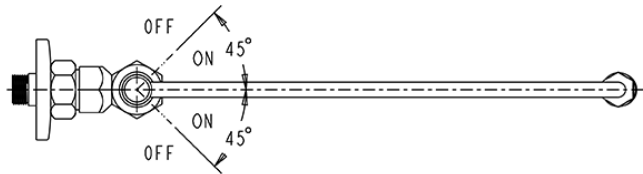
450KL2100 Deck Mount



0450KL2101 Wall Mount



0451KL6812 Wok Faucet



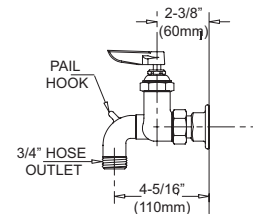
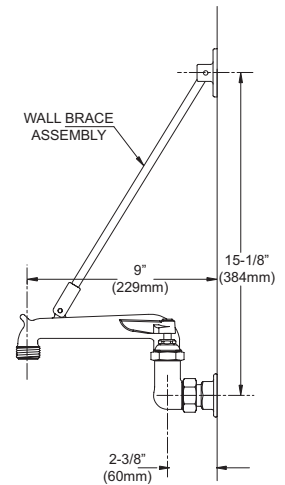
- Designed for use over Chinese woks
- Wall/splash mount
- 3/8" NPT male inlet
- 12" swivel spout 2.2 GPM aerator
- Double O-ring seal
- Automatically turns on when spout is swung over wok
- NSF listed standard 61/9

Specifications

Materials

Chrome plated low lead brass

0451-8600 Series Service Sink Faucets



- Heavy cast zinc spout with hose thread and pail hook
- Spout accepts standard 3/4" garden hose
- Faucets with 6-5/8" spouts have bracket for added support
- Models available with vacuum breaker for extra protection against backflow
- 1-year warranty

Specifications

Materials

Cast bronze with rough chrome finish

Mounting

Furnished with 1/2" NPS female eccentric inlets on 8" (200 mm) centers, adjustable $\pm 1/4"$ (5 mm)

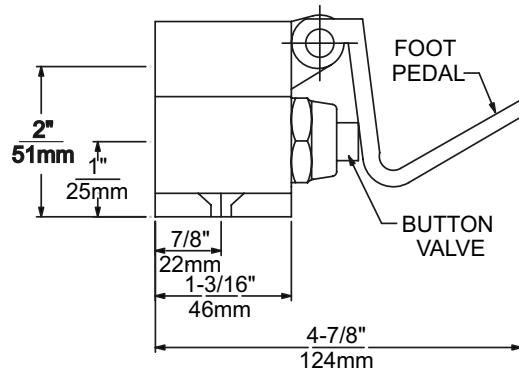
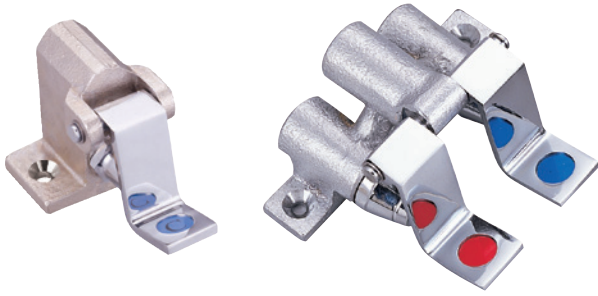
Options

Wrist blades available

| Part No. | Description | Spout Length |
|-------------|--|-----------------|
| 60451008660 | 8" Wall Faucet with Support Bracket | 6-5/8" (168 mm) |
| 60451008665 | 8" Wall Faucet with Support Bracket and Vacuum Breaker | 6-5/8" (168 mm) |
| 60451008673 | 8" Wall Faucet | 2-1/2" (64 mm) |
| 60451008674 | 8" Wall Faucet with Vacuum Breaker | 2-1/2" (64 mm) |
| 60451KL6812 | Faucet Wok | |



0465-100 Series Foot Operated Valves



- Hands-free faucet operation
- Self-closing valves
- Color indexed pedals
- 1-year warranty

Specifications

Materials

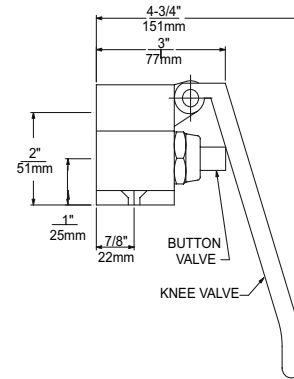
Cast bronze with rough chrome body and polished chrome pedals

Mounting

Countersunk for 1/4" (6 mm) flat head screws. Furnished with 1/2" NPT water connections

| Part No. | Description |
|-------------|--|
| 60465000001 | Push Button for Knee and Foot Valve |
| 60465000100 | Foot Valve, Dual Lever Control |
| 60465000101 | Foot Valve, Single Lever Control, Hot |
| 60465000102 | Foot Valve, Single Lever Control, Cold |
| 60465000200 | Knee Valve, Dual Lever Control |
| 60465000201 | Knee Valve, Single Lever Control, Hot |
| 60465000202 | Knee Valve, Single Lever Control, Cold |

0465-200 Series Knee Operated Valves



- Hands-free faucet operation
- Self-closing valves
- Color indexed pedals
- 1-year warranty

Specifications

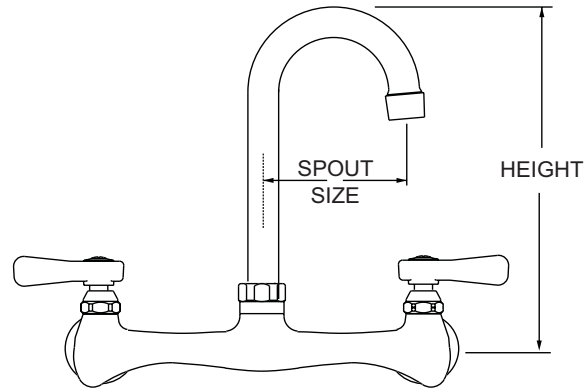
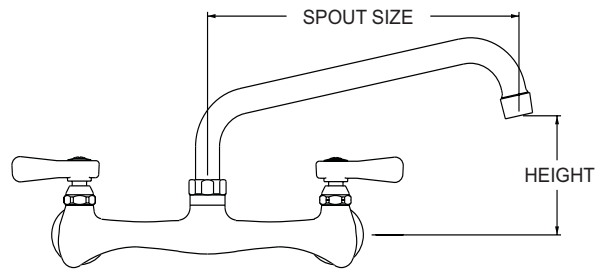
Materials

Cast bronze with rough chrome body and polished chrome pedals

Mounting

Countersunk for 1/4" (6 mm) flat head screws. Furnished with 1/2" NPT water connections





- Economical, commercial faucets
- Provides years of dependable service
- 1-year limited warranty

Specifications

Materials

Polished chrome plated low lead brass alloy valve body and spout; chrome plated low lead brass alloy valve stems and bonnets; ceramic valve; polished chrome plated zinc die-cast handles with stainless steel screws

Mounting

1/2-14 NPT threaded eccentric female inlets on 8" centers

Options

Wrist blades available

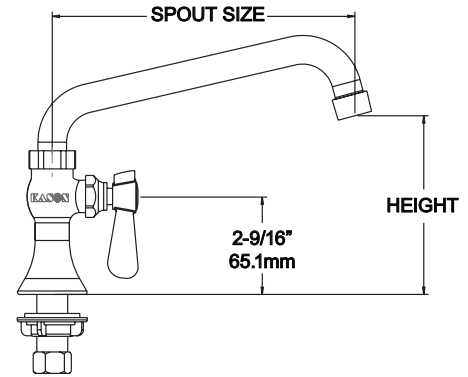
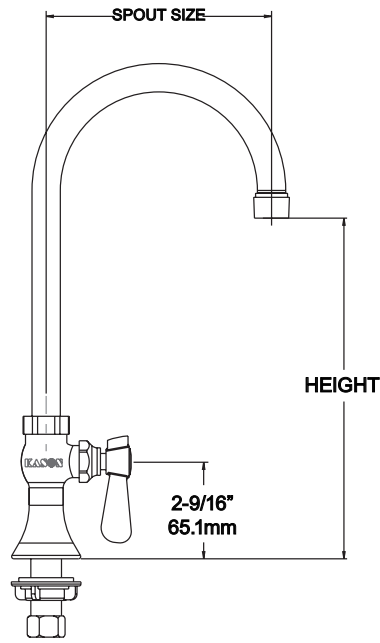
| Part No. | Description | Height |
|-------------|--|------------------|
| 60455KL8000 | 8" Wall Faucet with No Spout | |
| 60455KL8001 | 8" Wall Faucet with 3-1/2" (89 mm) Gooseneck Swivel Spout | 5" (127 mm) |
| 60455KL8002 | 8" Wall Faucet with 6" (152 mm) Gooseneck Swivel Spout | 5-1/8" (130 mm) |
| 60455KL8003 | 8" Wall Faucet with 8-1/2" (216 mm) Gooseneck Swivel Spout | 8-1/2" (216 mm) |
| 60455KL8006 | 8" Wall Faucet with 6" (152 mm) Swivel Spout | 1-11/16" (43 mm) |
| 60455KL8008 | 8" Wall Faucet with 8" (203 mm) Swivel Spout | 1-15/16" (49 mm) |
| 60455KL8010 | 8" Wall Faucet with 10" (254 mm) Swivel Spout | 2-7/8" (73 mm) |
| 60455KL8012 | 8" Wall Faucet with 12" (305 mm) Swivel Spout | 2-9/16" (65 mm) |
| 60455KL8014 | 8" Wall Faucet with 14" (356 mm) Swivel Spout | 3-3/16" (81 mm) |
| 60455KL8016 | 8" Wall Faucet with 16" (406 mm) Swivel Spout | 3-3/16" (81 mm) |

Replacement parts shown on page 320 - 321



© 2023 Kason Industries, Inc.
0923 LIT 001

0456KL2000 Series Deck Mount Single Pantry Faucets



- Commercial grade faucets
- Provides years of dependable service
- 1-year limited warranty

Specifications

Materials

Triple chrome plated low lead brass alloy valve body, ceramic valve; polished chrome finished tubular brass spouts

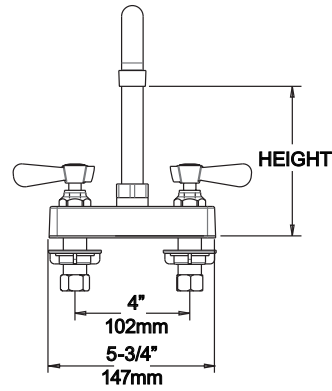
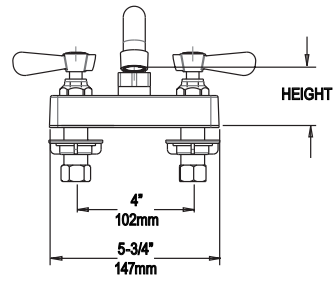
Mounting

1/2" NPS male inlet with 1/4" NPT union tail piece and mounting hardware

| Part No. | Description | Height |
|-------------|---|---------------------|
| 60456KL2000 | Single Deck Spout Base with No Spout | |
| 60456KL2001 | Deck Spout Base with 3-1/2" (89 mm) Gooseneck Swivel Spout | 8-1/4" (209.5 mm) |
| 60456KL2002 | Deck Spout Base with 6" (152 mm) Gooseneck Swivel Spout | 8-7/16" (214.3 mm) |
| 60456KL2003 | Deck Spout Base with 8-1/2" (216 mm) Gooseneck Swivel Spout | 12-7/16" (315.9 mm) |
| 60456KL2006 | Deck Spout Base with 6" (152 mm) Swivel Spout | 4-7/8" (123.8 mm) |
| 60456KL2008 | Deck Spout Base with 8" (203 mm) Swivel Spout | 5-1/8" (130.1 mm) |
| 60456KL2010 | Deck Spout Base with 10" (254 mm) Swivel Spout | 6-1/8" (155.5 mm) |
| 60456KL2012 | Deck Spout Base with 12" (305 mm) Swivel Spout | 5-7/8" (149.2 mm) |
| 60456KL2014 | Deck Spout Base with 14" (356 mm) Swivel Spout | 6-1/2" (165.1 mm) |
| 60456KL2016 | Deck Spout Base with 16" (356 mm) Swivel Spout | 6-1/2" (165.1 mm) |

Replacement parts shown on pages 413 - 414





- Economical, commercial faucets
- Provides years of dependable service
- 1-year limited warranty

Specifications

Materials

Polished chrome plated low lead brass alloy valve body and spout; ceramic valve; chrome plated low lead brass alloy valve stems and bonnets; polished chrome plated zinc die-cast handles with stainless steel screws

Mounting

Furnished with 1/2-14 NPS male inlets on 4" centers, with mounting hardware and 3/8" compression sleeves

Options

Wrist blades available

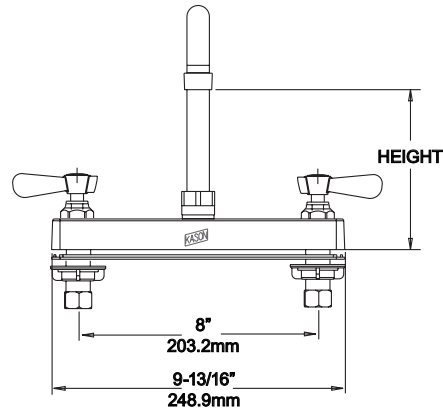
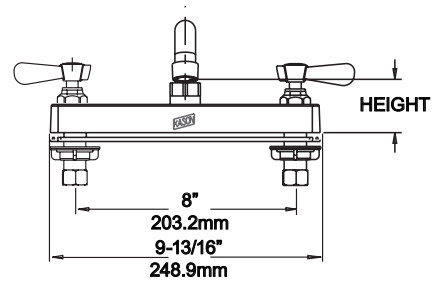
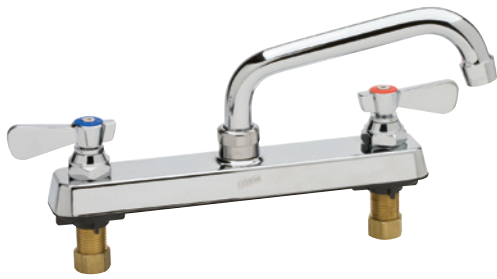
| Part No. | Description | Height |
|-------------|--|-------------------|
| 60456KL4000 | 4" Deck Faucet with No Spout | |
| 60456KL4006 | 4" Deck Faucet with 6" (152 mm) Swivel Spout | 2-1/16" (52 mm) |
| 60456KL4008 | 4" Deck Faucet with 8" (203 mm) Swivel Spout | 2-5/16" (59 mm) |
| 60456KL4010 | 4" Deck Faucet with 10" (254 mm) Swivel Spout | 3-1/4" (82 mm) |
| 60456KL4012 | 4" Deck Faucet with 12" (305 mm) Swivel Spout | 3" (76 mm) |
| 60456KL4014 | 4" Deck Faucet with 14" (356 mm) Swivel Spout | 3-5/8" (92 mm) |
| 60456KL4016 | 4" Deck Faucet with 16" (406 mm) Swivel Spout | 3-5/8" (92 mm) |
| 60456KL4801 | 4" Deck Faucet with 3-1/2" (89 mm) Gooseneck Swivel Spout | 5-3/8" (136 mm) |
| 60456KL4802 | 4" Deck Faucet with 6" (152 mm) Gooseneck Swivel Spout | 5-9/16" (14 mm) |
| 60456KL4803 | 4" Deck Faucet with 8-1/2" (216 mm) Gooseneck Swivel Spout | 8-15/16" (227 mm) |

Replacement parts shown on page 320 - 321



© 2023 Kason Industries, Inc.
0923 LIT 001

0456KL8000 Series 8" Deck Mount Faucets



- Economical, commercial faucets
- Provides years of dependable service
- 1-year limited warranty

Specifications

Materials

Polished chrome plated low lead brass alloy valve body and spout; chrome plated low lead brass alloy valve stems and bonnets; ceramic valve; polished chrome plated zinc die-cast handles with stainless steel screws

Mounting

1/2-14 NPS male inlets on 8" centers, with mounting hardware and 3/8" compression sleeves

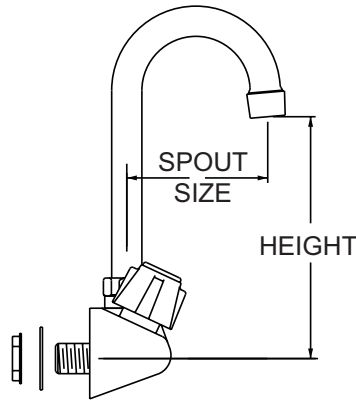
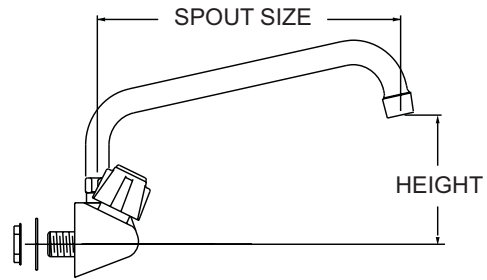
Options

Wrist blades available

| Part No. | Description | Height |
|-------------|--|------------------|
| 60456KL8001 | 8" Deck Faucet with No Spout | |
| 60456KL8001 | 8" Deck Faucet with 3-1/2" (89 mm) Gooseneck Swivel Spout | 5" (127 mm) |
| 60456KL8002 | 8" Deck Faucet with 6" (152 mm) Gooseneck Swivel Spout | 5-3/16" (132 mm) |
| 60456KL8003 | 8" Deck Faucet with 8-1/2" (216 mm) Gooseneck Swivel Spout | 8-9/16" (217 mm) |
| 60456KL8006 | 8" Deck Faucet with 6" (152 mm) Swivel Spout | 1-11/16" (43 mm) |
| 60456KL8008 | 8" Deck Faucet with 8" (203 mm) Swivel Spout | 1-15/16" (49 mm) |
| 60456KL8010 | 8" Deck Faucet with 10" (254 mm) Swivel Spout | 2-7/8" (73 mm) |
| 60456KL8012 | 8" Deck Faucet with 12" (305 mm) Swivel Spout | 2-9/16" (65 mm) |
| 60456KL8014 | 8" Deck Faucet with 14" (356 mm) Swivel Spout | 3-3/4" (82 mm) |
| 60456KL8016 | 8" Deck Faucet with 16" (406 mm) Swivel Spout | 3-3/4" (82 mm) |

Replacement parts shown on page 320 - 321





- Economical, commercial faucets
- Provides years of dependable service
- 1-year limited warranty

Specifications

Materials

Copper alloy valve body, stems and bonnets; ceramic valve; polished chrome finished copper alloy cover and spout; polished chrome plated zinc die-cast handles with stainless steel screws

Mounting

Furnished with 1/2-14 NPS male inlets on 4" centers, with mounting hardware

| Part No. | Description | Height |
|-------------|--|------------------|
| 60457KL4801 | 4" Wall Faucet with 3-1/2" (89 mm) Gooseneck Swivel Spout | 5-1/16" (129 mm) |
| 60457KL4802 | 4" Wall Faucet with 6" (152 mm) Gooseneck Swivel Spout | 5-1/4" (133 mm) |
| 60457KL4803 | 4" Wall Faucet with 8-1/2" (216 mm) Gooseneck Swivel Spout | 8-5/8" (219 mm) |
| 60457KL4006 | 4" Wall Faucet with 6" (152 mm) Swivel Spout | 1-3/4" (44 mm) |
| 60457KL4008 | 4" Wall Faucet with 8" (203 mm) Swivel Spout | 2" (51 mm) |
| 60457KL4010 | 4" Wall Faucet with 10" (254 mm) Swivel Spout | 2-15/16" (75 mm) |
| 60457KL4012 | 4" Wall Faucet with 12" (305 mm) Swivel Spout | 2-11/16" (68 mm) |
| 60457KL4014 | 4" Wall Faucet with 14" (356 mm) Swivel Spout | 3-5/16" (84 mm) |
| 60457KL4016 | 4" Wall Faucet with 16" (406 mm) Swivel Spout | 3-5/16" (84 mm) |

Replacement parts shown on page 320 - 321



Aquaware® Elite Replacement Faucet Parts

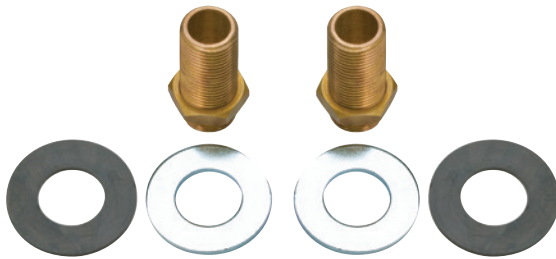
0451KL0024 Replacement Valve, Hot
0451KL0025 Replacement Valve, Cold



0455KL0024 Replacement Valve, Hot
0455KL0025 Replacement Valve, Cold



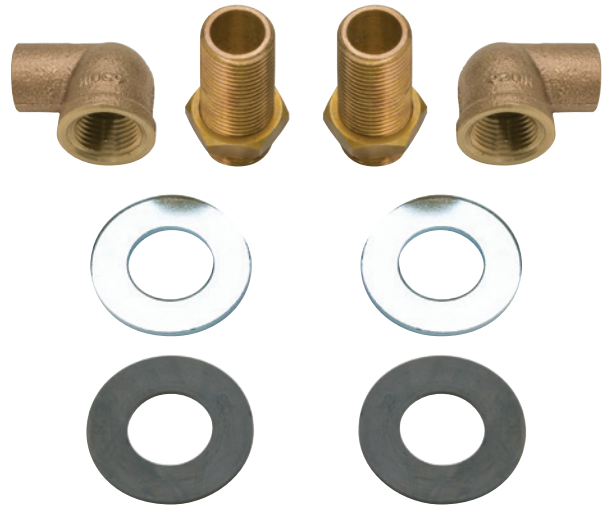
0452KL0700 Deck Mount Inlet Kit



0457KL0007 Replacement Valve, Hot
0457KL0008 Replacement Valve, Cold



0451KL0700 Wall Mount Inlet Kit



| Part No. | Description |
|--------------|--|
| 60451KL0024 | Hot Replacement Valve for 0451 and 0452KL Series Faucets Ceramic Cartridge |
| 60451KL0025 | Cold Replacement Valve for 0451 and 0452KL Series Faucets Ceramic Cartridge |
| 60455KL0024 | Hot Replacement Valve for 0455 and 0456KL Series Faucets |
| 60455KL0025 | Cold Replacement Valve for 0455 and 0456KL Series Faucets |
| 60457KL0007 | Hot Replacement Valve for 0457 Series Faucets |
| 60457KL0008 | Cold Replacement Valve for 0457 Series Faucets |
| 604571KL0700 | Wall Mount Inlet Kit |
| 60452KL0700 | Deck Mount Inlet Kit |

Low Lead brass alloy valve stem and bonnet

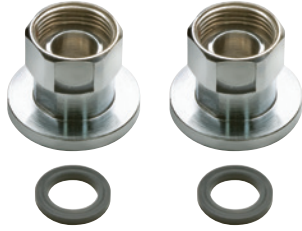
Brass alloy valve system

Includes two each of 1/2" NPS nipples, 1/2" NPT street wells, washers and locknuts

Includes two each 1/2" NPS nipples, washers and locknuts.



0455KL0003 Supply Inlet Kit for 0455 Series Faucets



0451KL0021 Lever Handles Kit



0451KL0023 Wrist Blade Handles Kit



0451KL0044 Screen Aerator



0451KL0028/29/30



0451KL0028



0451KL0029



0451KL0030

0451KL0020 Supply Inlet Kit



0451KL0022 Cross Handles Kit



0451KL0016 O-Ring Set for Swivel Spout



| Part No. | Description | |
|-------------|---|---|
| 60451KL0016 | O-Ring Set for Swivel Spout | |
| 60451KL0020 | Supply Inlet Kit | |
| 60451KL0021 | Lever Handles Kit | Includes two, chrome plated standard handles, hot and cold indicators and mounting screws |
| 60451KL0022 | Cross Handles Kit | Includes two, chrome plated cross handles, hot and cold indicators and mounting screws |
| 60451KL0023 | Wrist Blade Handles Kit | Includes two, 4-inch, chrome plated wrist handles, hot and cold indicators and screws |
| 60455KL0003 | Supply Inlet Kit for 455 Series Faucets | 1/2-14 NPT threaded eccentric female inlet for 0451 and 0452 KL faucets |
| 60451KL0044 | Screen Aerator | |
| 60451KL0028 | Adapter, swivel to rigid | |
| 60451KL0029 | Adapter, Rigid to Swivel | |
| 60451KL0030 | Adapter, Swivel to Swivel | |



Aquaware® Elite Faucet Spouts and Extensions

Gooseneck Swivel Spouts



Swivel Spouts



Spout Extensions

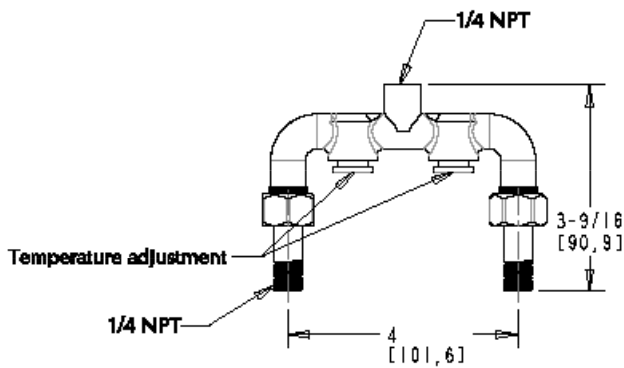


- Heavy-duty chrome plated tubular brass sprouts
- Double O-rings

| Part No. | Description |
|-------------|--|
| 60451KL9006 | 6" (152 mm) Swivel Spout |
| 60451KL9008 | 8" (203 mm) Swivel Spout |
| 60451KL9010 | 10" (254 mm) Swivel Spout |
| 60451KL9012 | 12" (305 mm) Swivel Spout |
| 60451KL9014 | 14" (356 mm) Swivel Spout |
| 60451KL9016 | 16" (406 mm) Swivel Spout |
| 60451KL9801 | 3-1/2" (89 mm) Gooseneck Swivel Spout |
| 60451KL9802 | 6" (152 mm) Gooseneck Swivel Spout |
| 60451KL9803 | 8-1/2" (216 mm) Gooseneck Swivel Spout |
| 60451KL9001 | 6" (152 mm) Spout Extension |
| 60451KL9002 | 12" (305 mm) Spout Extension |
| 60451KL9003 | 10" (254 mm) Spout Extension |
| 60451KL9006 | 6" (152 mm) Spout |
| 60451KL9008 | 8" (203.2 mm) Spout Extension |

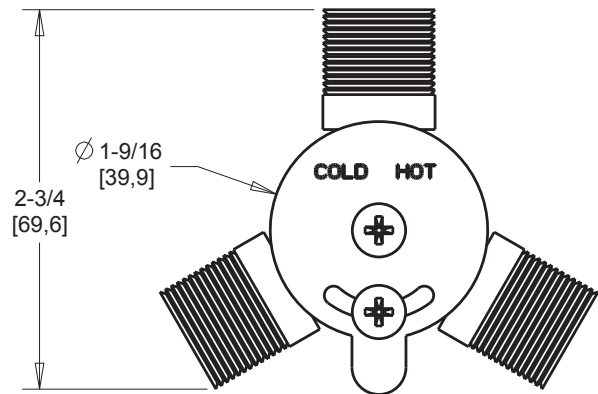


0451KL-39 Mixing Valve



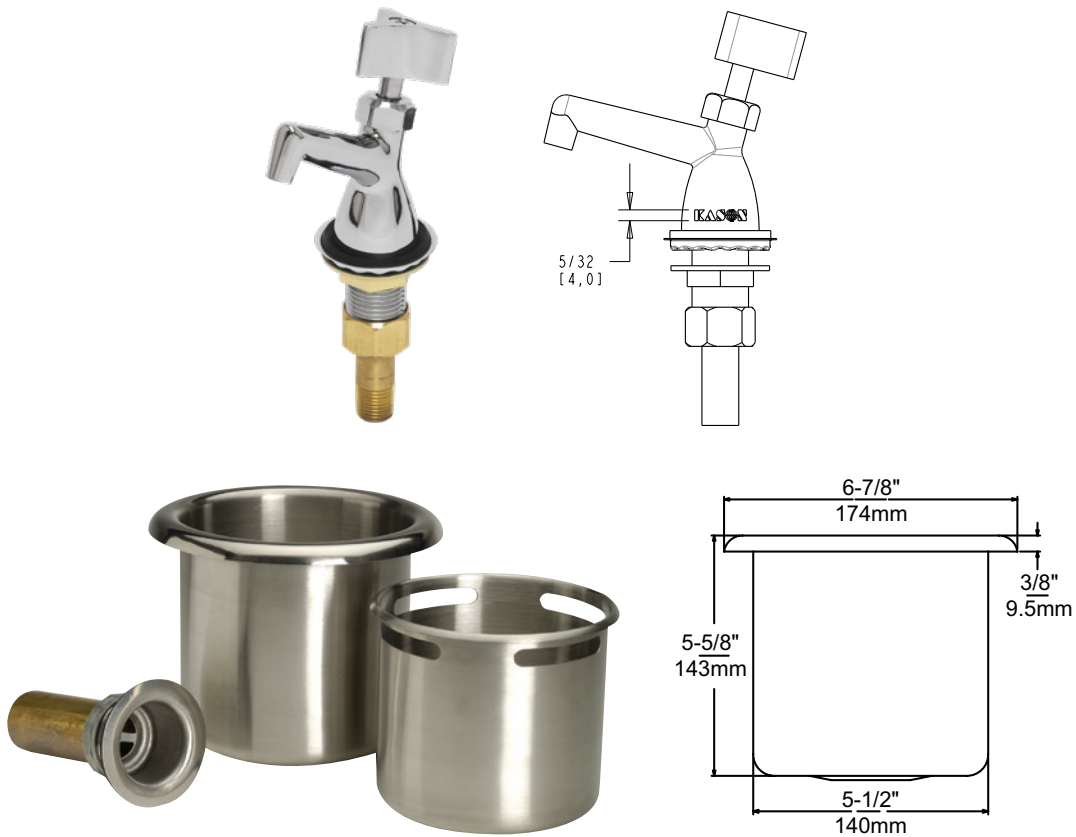
- Ideal for use in commercial and institutional applications
- Mixes hot and cold water to reduce high service water temperature to the building distribution piping system

0451KL-40 Mixing Valve



| Part No. | Description |
|-------------|--------------------------|
| 60451KL0039 | Temperature Mixing Valve |
| 60451KL0040 | Temperature Mixing Valve |

7504-202 Dipperwell Assembly



- Fits 6" (150 mm) diameter opening
- 18-8 stainless steel inner and outer shells and drain; nickel plated brass tailpiece
- Mounts with 1/2" NPS male inlet, furnished with male union tailpiece and mounting hardware
- Available as individual parts

Specifications

Materials

Stainless steel shells and drain; highly polished chrome plated faucet

Mounting

1/2" NPS male inlet furnished with male union tailpiece and mounting hardware

| Part No. | Description |
|-------------|------------------------------------|
| 67504000202 | Dipperwell Assembly without Faucet |
| 67504000204 | Dipperwell Assembly with Faucet |
| 67504KL0205 | Dipperwell Faucet Only |



Dipperwell



Faucet



- Fast drainage
- Positive seal
- Snap-in strainer
- Convertible connection
- 1-year limited warranty

Specifications

Materials

Bright nickel plated low lead brass alloy body, stainless steel face flange, strainer and handle; Neoprene head gasket

Connection

2"-11.5 NPT male (external) and 1-1/2"-11.5 female (internal), furnished with 1-1/2"-11.5 male coupling



- Fast drainage
- Positive seal
- Snap-in strainer
- 1-year limited warranty

Specifications

Materials

Bright nickel plated low lead brass alloy body, stainless steel face flange, strainer and handle; Neoprene head gasket

Connection

2"-11.5 NPT male (external)

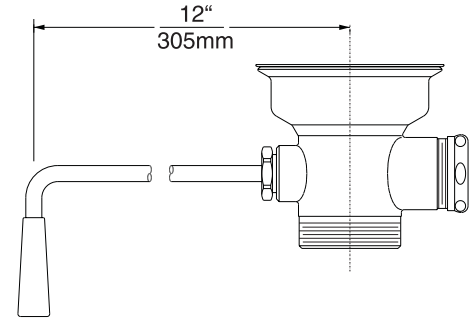
0458-7034 Stainless Steel Waste Outlet Handle Support



| Part No. | Description | Sink Opening | NPT | Face Flange Diameter |
|-------------|---|----------------|-------------|----------------------|
| 60458005400 | Convertible Waste Outlet | 3-1/2" (89 mm) | 2" / 1-1/2" | 4-1/2" (114 mm) |
| 60458007034 | Waste Outlet Handle Support (Order separately) | | | |
| 60458007200 | Economy Waste Outlet | 3-1/2" (89 mm) | 2" | 4-1/2" (114 mm) |



0458-1200 Convertible Outlet with Optional Overflow



- Fast drainage
- Positive seal
- Snap-in strainer
- Special value for light duty, general use
- 90 day limited warranty

Specifications

Materials

Bright nickel plated die-cast zinc body; stainless steel face flange, strainer and handle; Neoprene head gasket

Connection

2" - 11.5 NPT male (external); 1-1/2" - 11.5 female (internal)

| Part No. | Description | Sink Opening | NPT | Face Flange Dia. |
|-------------|--|----------------|-------------|------------------|
| 60458001200 | Twist Handle Waste Outlet | 3-1/2" (89 mm) | 2" / 1-1/2" | 4-1/2" (114 mm) |
| 60458001500 | Twist Handle Waste Outlet with Overflow Head & Elbow | | | |
| 60458007034 | Waste Outlet Handle Support (Shown on Page 419) | | | |





- Fast drainage
- Positive seal
- Snap-in strainer
- 1-year limited warranty

Specifications

Materials

Outlet: Bright nickel plated cast bronze body, stainless steel face flange, strainer and handle; Neoprene head gasket

Overflow Head: Bright nickel plated cast bronze head, stainless steel strainer

Elbow: Bright nickel plated copper alloy tubing

Elbow size: 14" x 18" (356 x 457 mm)

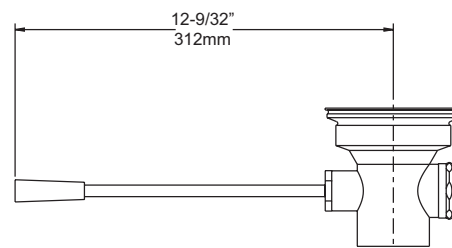
Connection

2"-11.5 NPT male (external) and 1-1/2"-11.5 female (internal), furnished with 1-1/2"-11.5 male coupling; 1-1/4"-11.5 NPS overflow outlet, head and elbow

| Part No. | Description | Sink Opening | NPT | Face Flange Diameter |
|-------------|---|----------------|-------------|----------------------|
| 60458006400 | Twist-handle operated outlet and overflow outlet only | 3-1/2" (89 mm) | 2" / 1-1/2" | 4-1/2" (114 mm) |
| 60458006500 | Twist Handle Waste Outlet with Overflow Head & Elbow | 3-1/2" (89 mm) | 2" / 1-1/2" | 4-1/2" (114 mm) |
| 60458007010 | Overflow Head. May be ordered separately | | | |
| 60458007020 | Overflow Elbow. May be ordered separately | | | |
| 60458007034 | Waste Outlet Handle Support (Shown on Page 419) | | | |



Convertible Lever Waste with Overflow Assembly



- Fast drainage
- Positive seal
- Snap-in strainer
- Available as complete unit or separate parts
- 1-year limited warranty

Specifications

Materials

Outlet: Bright nickel plated low lead brass alloy body, stainless steel face flange, strainer and handle; Neoprene head gasket

Overflow Head: Bright nickel plated low lead brass alloy head, stainless steel strainer

Elbow: Bright nickel plated low lead brass alloy tubing

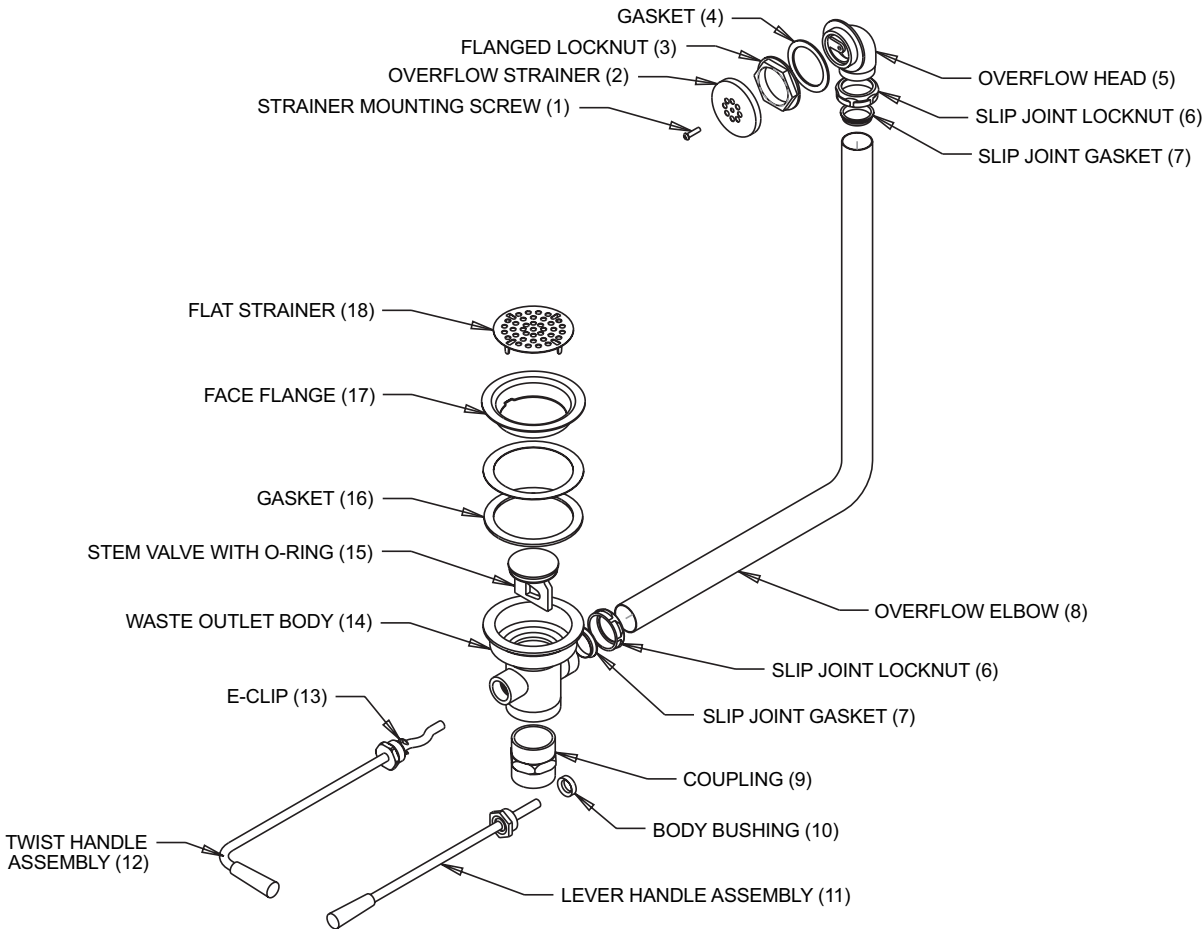
Elbow size: 14" x 18" (356 x 457 mm)

Connection

2"-11.5 NPT male (external) and 1-1/2"-11.5 female (internal), furnished with 1-1/2"-11.5 male coupling; 1-1/4"-11.5 NPS overflow outlet, head and elbow

| Part No. | Description | Sink Opening | NPT | Face Flange Diameter |
|-------------|--|----------------|-------------|----------------------|
| 60458004400 | Lever-operated waste outlet with overflow outlet | 3-1/2" (89 mm) | 2" / 1-1/2" | 4-1/2" (114 mm) |
| 60458004500 | Twist Handle Waste Outlet with Overflow Head & Elbow | 3-1/2" (89 mm) | 2" / 1-1/2" | 4-1/2" (114 mm) |
| 60458007010 | Overflow Head. May be ordered separately | | | |
| 60458007020 | Overflow Elbow. May be ordered separately | | | |
| 60458007034 | Waste Outlet Handle Support (Shown on Page 419) | | | |



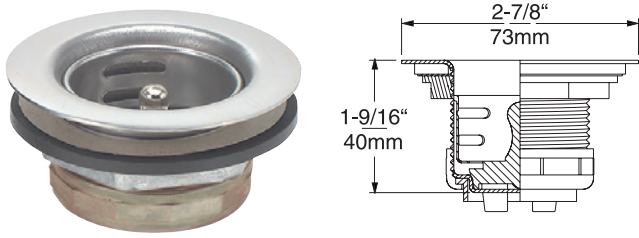


| Part No. | Description | |
|-------------|---|--|
| 60458007000 | Overflow Kit | Includes overflow head assembly (1-7) and overflow elbow (8) |
| 60458007010 | Overflow Head Assembly (1-7) | Includes Strainer Mounting Screw (1), Overflow Strainer (2), Flanged Locknut (3), Gasket (4), Overflow Head (5), Slip Joint Locknut (6), and Slip Joint Gasket (7) |
| 60458007020 | Elbow (8) | |
| 60458007025 | Slip Join Locknut (6) and Slip Joint Gasket (7) | |
| 60458007030 | Replacement Cap for Overflow Outlet | |
| 60458007032 | Coupling (9) | Drain Adapter, 1-1/2" (38 mm) male |
| 60458007034 | Drain Support | |
| 60458007035 | Flat Strainer (18) | |
| 60458007036 | Rebuild Repair Kit | Includes Twist Handle Assembly (12), E-clip (13), Stem Valve with O-ring (15), and Gasket (16) |
| 60458007037 | Overflow Repair Kit | Includes two each of the following: Gasket (4), Slip Joint Locknut (6), and Slip Joint Gasket (7) |
| 60458007038 | Lever Handle Assembly Kit | Includes Body Bushing (10) and Lever Handle Assembly (11) |
| 60458007039 | Twist Handle Assembly Kit | Includes Twist Handle Assembly (12) and E-clip (13) |

© 2023 Kason Industries, Inc.
0923 LIT 001

0463-2000 Series Basket Drains

0463-2004 Mini Basket Drain



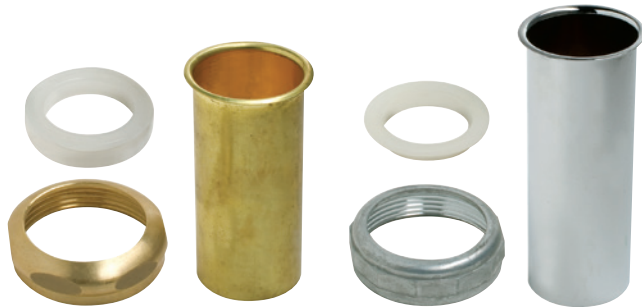
- Stainless steel construction.
- Combination removable crumb cup and stopper
- 1-year limited warranty

Specifications

Materials

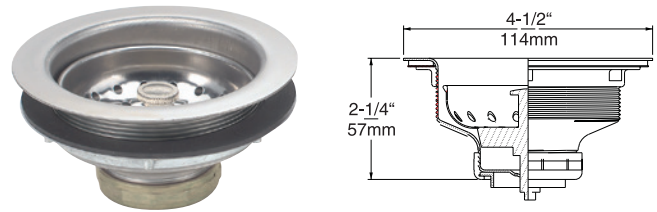
Highly polished #400 stainless steel strainer and drain housing; rubber stopper and flange gasket, die-cast zinc stem, compression nut and lock nut; polypropylene compression sleeve.

0463-5000 Tailpieces



- Available stainless steel or raw brass
- Furnished with gasket and slip nut

0463-2008 Duo Basket Drain



- Stainless steel construction.
- Combination removable crumb cup and stopper
- 1-year limited warranty

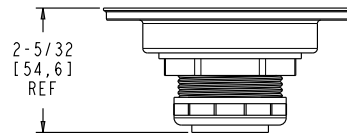
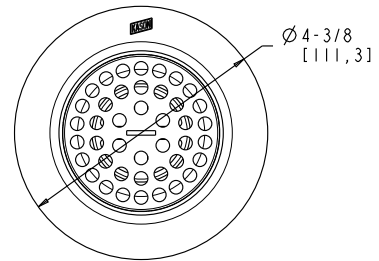
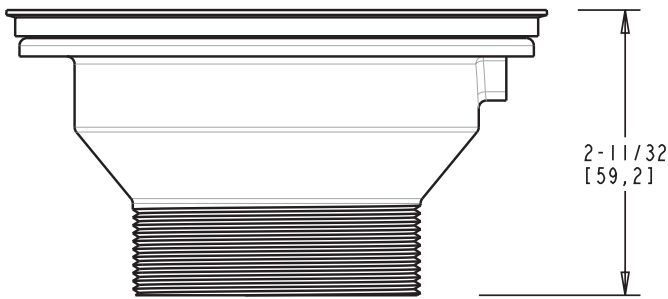
Specifications

Materials

Highly polished #400 stainless steel strainer and drain housing; rubber stopper and flange gasket, die-cast zinc stem, compression nut and lock nut; polypropylene compression sleeve.

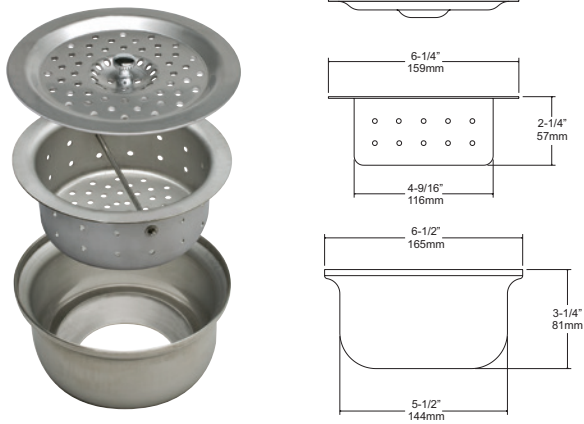
| Part No. | Description |
|-------------|---|
| 6046300002 | Crumb Cup for Mini Basket Drain |
| 60463002003 | Mini Basket Drain without Crumb Cup |
| 60463002004 | Mini Basket Drain |
| 60463002007 | Basket Drain w/ Brass Nuts |
| 60463002008 | Basket Drain with Zamak Nuts |
| 60463002009 | Deep Basket Drain w/ Tailpiece CSA |
| 60463C02004 | Mini Basket Drain, Zinc Locknut, Zinc Compression Nut |
| 60463C02005 | Mini Basket Drain, Brass Locknut, Brass Compression Nut |
| 60463C02006 | Mini Basket Drain, Zinc Locknut, Brass Compression Nut |
| 60463C02007 | Basket Drain, Brass Locknut, Brass Compression Nut |
| 60463C02008 | Basket Drain, Zinc Locknut, Zinc Compression Nut |
| 60463C02009 | Basket Drain, Zinc Locknut, Brass Compression Nut |
| 60463000003 | Duo Baskets Only for No. 60463002008 |
| 60463005004 | Tailpiece w/ Nut, Brass |
| 60463005014 | Tailpiece w/ Nut, Stainless Steel |
| 60463005022 | Tailpiece Only |





| Part No. | Description | Sink Opening | Face Flange Dia. |
|-------------|--|--------------|------------------|
| 60463003008 | Free Flow Drain for 1" and 1-1/2" drains | 3-1/8" | 4-3/16" |
| 60463002014 | Flat Strainer Drain Ideal for Sinks and Laboratory Equipment | 3" | 4-3/8" |

0463-2010 Box Drain



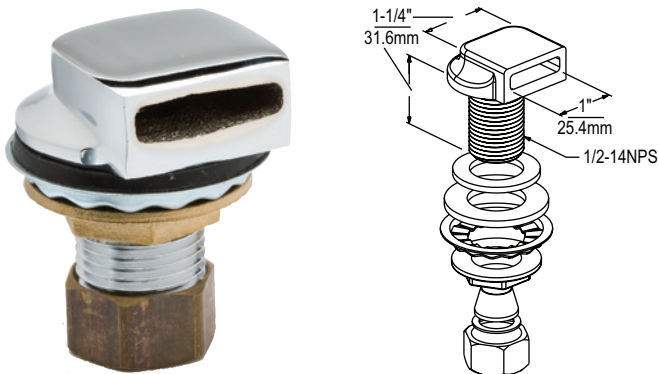
- Weld-in floor drain ideal for kettle troughs, floor troughs, scullery sinks, and walk-in cooler floor drains
- Removable strainer allows for easy clean out
- Helps stop clogs when serviced regularly
- Available as complete unit or separate parts

0463-2016 Box Drain



- Weld-in floor drain
- Visual for surface finish
- Dimensional with calipers
- Ideal for kitchen troughs and cooler floor drains
- Weight: 4.4 lb

0464-0001 Swirl Inlet Kit



- Use on food waste disposer
- Polished chrome plated brass spray head
- Kit includes all mounting hardware

| Part No. | Description | Qty. |
|-------------|-------------------------------------|------|
| 60463002010 | Box Drain, Complete Unit | 1 |
| 60463002011 | Stainless Steel Bowl | 1 |
| 60463002013 | Stainless Steel Cover (A) | 1 |
| 60463002012 | Stainless Steel Strainer (B) | 1 |
| 60463002016 | Box Drain Bowl Assy w/Tailpiece (C) | 1 |
| 60463002031 | Bowl with Extensions | 1 |
| 60464000001 | Swirl Inlet Kit | 1 |



Sink Drains

| Part No. | Drain Size | Sink Opening Dia. | Flange Face Dia. | Length | Materials |
|-------------|--------------|-------------------|------------------|----------------|---------------------|
| 60459004101 | 1/2-14 NPS* | 15/16" (24 mm) | 1-1/4" (32 mm) | 2" (51 mm) | Brass/Nickel |
| 60459004102 | 1/2-14 NPS* | 15/16" (24 mm) | 1-1/4" (32 mm) | 2" (51 mm) | Natural Brass |
| 60459004103 | 1/2-14 NPS* | 15/16" (24 mm) | 1-1/4" (32 mm) | 3-1/2" (89 mm) | Brass/Nickel |
| 60459004104 | 1/2-14 NPS* | 15/16" (24 mm) | 1-1/4" (32 mm) | 3-1/2" (89 mm) | Natural Brass |
| 60459004201 | 3/4-14 NPS | 1-1/8" (29 mm) | 1-1/2" (38 mm) | 1-1/4" (32 mm) | Brass/Nickel |
| 60459004301 | 1-11.5 NPS | 1-3/8" (35 mm) | 2" (51 mm) | 1-1/2" (38 mm) | Brass/Nickle Plated |
| 60459004302 | 1-11.5 NPS | 1-3/8" (35 mm) | 2" (51 mm) | 1-1/2" (38 mm) | Natural Brass |
| 60459004303 | 1-11.5 NPS | 1-3/8" (35 mm) | 2" (51 mm) | 3-1/4" (82 mm) | Brass/Nickel |
| 60459004304 | 1-11.5 NPS | 1-3/8" (35 mm) | 2" (51 mm) | 3-1/4" (82 mm) | Natural Brass |
| 60459004305 | 1-11.5 NPS | 1-3/8" (35 mm) | 2" (51 mm) | 4" (101 mm) | Brass/Nickel |
| 60459004306 | 1-11.5 NPS | 1-3/8" (35 mm) | 2" (51 mm) | 4" (101 mm) | Natural Brass |
| 60459004331 | 1-11.5 NPS | 1-3/8" (35 mm) | 2" (51 mm) | 1-1/2" (38 mm) | Gray Thermoplastic |
| 60459004332 | 1-11.5 NPS | 1-3/8" (35 mm) | 2" (51 mm) | 2-7/8" (73 mm) | Gray Thermoplastic |
| 60459004401 | 1/2-11.5 NPS | 2" (51 mm) | 3" (76 mm) | 1-1/2" (38 mm) | Brass/Nickel |
| 60459004402 | 1/2-11.5 NPS | 2" (51 mm) | 3" (76 mm) | 1-1/2" (38 mm) | Natural Brass |
| 60459004403 | 1/2-11.5 NPS | 2" (51 mm) | 3" (76 mm) | 3" (76 mm) | Brass/Nickel |
| 60459004404 | 1/2-11.5 NPS | 2" (51 mm) | 3" (76 mm) | 3" (76 mm) | Natural Brass |
| 60459004441 | 1/2-11.5 NPS | 2" (51 mm) | 2-7/8" (73 mm) | 1-1/2" (38 mm) | Stainless Steel |
| 60459004501 | 2-11.5 NPS* | 2-1/2" (64 mm) | 3-1/2" (89 mm) | 2" (51 mm) | Brass/Nickel |
| 60459004502 | 2-11.5 NPS* | 2-1/2" (64 mm) | 3-1/2" (89 mm) | 2" (51 mm) | Natural Brass |

1-year limited warranty.
 * 1/2" and 2" drains furnished with washers and locknuts.

Stoppers

| Part No. | Size | Materials |
|-------------|----------------|--------------|
| 60459004081 | 1" (25 mm) | Brass/Nickel |
| 60459004082 | 1" (25 mm) | Raw Brass |
| 60459004083 | 1" (25 mm) | Rubber |
| 60459004084 | 1-1/2" (38 mm) | Brass/Nickel |
| 60459004085 | 1-1/2" (38 mm) | Raw Brass |

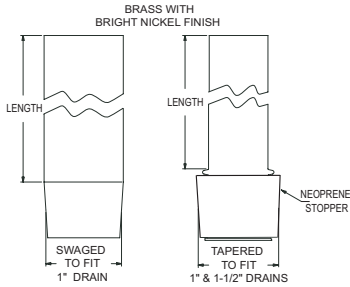
For 1" and 1-1/2" drains

| Part No. | Description |
|-------------|---------------------------|
| 60459007000 | Economy Overflow Assembly |

Washers and Locknuts

| Drain Size | Part No. | Materials |
|----------------|-------------|----------------|
| 1/2" (13 mm) | 60459004070 | Brass Locknuts |
| | 60459004075 | Zinc Locknuts |
| | 60459004090 | Rubber Washers |
| 3/4" (19 mm) | 60459004071 | Brass Locknuts |
| | 60459004076 | Zinc Locknuts |
| | 60459004091 | Rubber Washers |
| 1" (25 mm) | 60459004072 | Brass Locknuts |
| | 60459004077 | Zinc Locknuts |
| | 60459004092 | Rubber Washers |
| 1-1/2" (38 mm) | 60459004073 | Brass Locknuts |
| | 60459004078 | Zinc Locknuts |
| | 60459004093 | Rubber Washers |
| 2" (51 mm) | 60459004074 | Brass Locknuts |
| | 60459004079 | Zinc Locknuts |
| | 60459004094 | Rubber Washers |

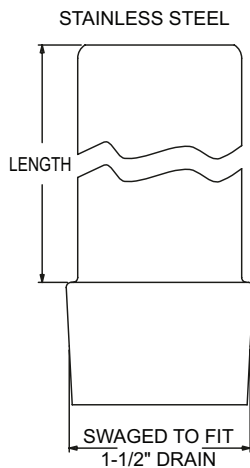
0460-2000 Series Nickel Plated Brass Overflow Tubes



| Part No. | Size | Length | Seat Type |
|-------------|----------------|-----------------|-----------|
| 60460002270 | 1" (25 mm) | 7" (178 mm) | Neoprene |
| 60460002290 | 1" (25 mm) | 9" (229 mm) | Neoprene |
| 60460002310 | 1-1/2" (38 mm) | 10" (254 mm) | Neoprene |
| 60460002312 | 1-1/2" (38 mm) | 12" (305 mm) | Neoprene |
| 60460002375 | 1-1/2" (38 mm) | 7-1/2" (190 mm) | Neoprene |
| 60460002410 | 1-1/2" (38 mm) | 10" (254 mm) | Swaged |
| 60460002412 | 1-1/2" (38 mm) | 12" (305 mm) | Swaged |
| 60460002475 | 1-1/2" (38 mm) | 7-1/2" (190 mm) | Swaged |

For 1-1/2" drains

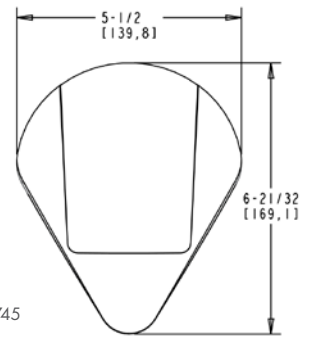
0460-2400 Series Stainless Steel Overflow Tubes



00TJ Toilet Jack



US Patent No. 7,421,745



- Increases weight capacity of a wall-mounted toilet from 300 to 1,000 lb
- Stabilizes and reduces leaks when installed properly
- Latex free
- Meets or exceeds guidelines for:
 - ASME/ANSI
 - Z124.5
 - CSA/IAPMO/UPC
 - JCAHO
- Made in the USA
- Straight forward design. Quickly and easily installs right out of the box
- Mounts discreetly under most manufacturers wall mounted toilets, providing additional vertical support
- Made of stainless steel and silicone in the USA. Stainless steel won't crack or discolor and is more durable and stain, chemical, and fire resistant than ABS, PVC, and many other types of plastic
- Specially engineered leg can be raised (up to 2") to maintain the cleaning ability of a wall mounted fixture
- Available for standard height and ADA height toilets

| Part No. | Description |
|-------------|---|
| 69000TJ1000 | Toilet Jack Leg, 4" (For Standard Height) |
| 69000TJ2000 | Toilet Jack Leg, 6" (For ADA Handicap Height) |
| 69000TJ3000 | Toilet Jack Leg, Telescoping |