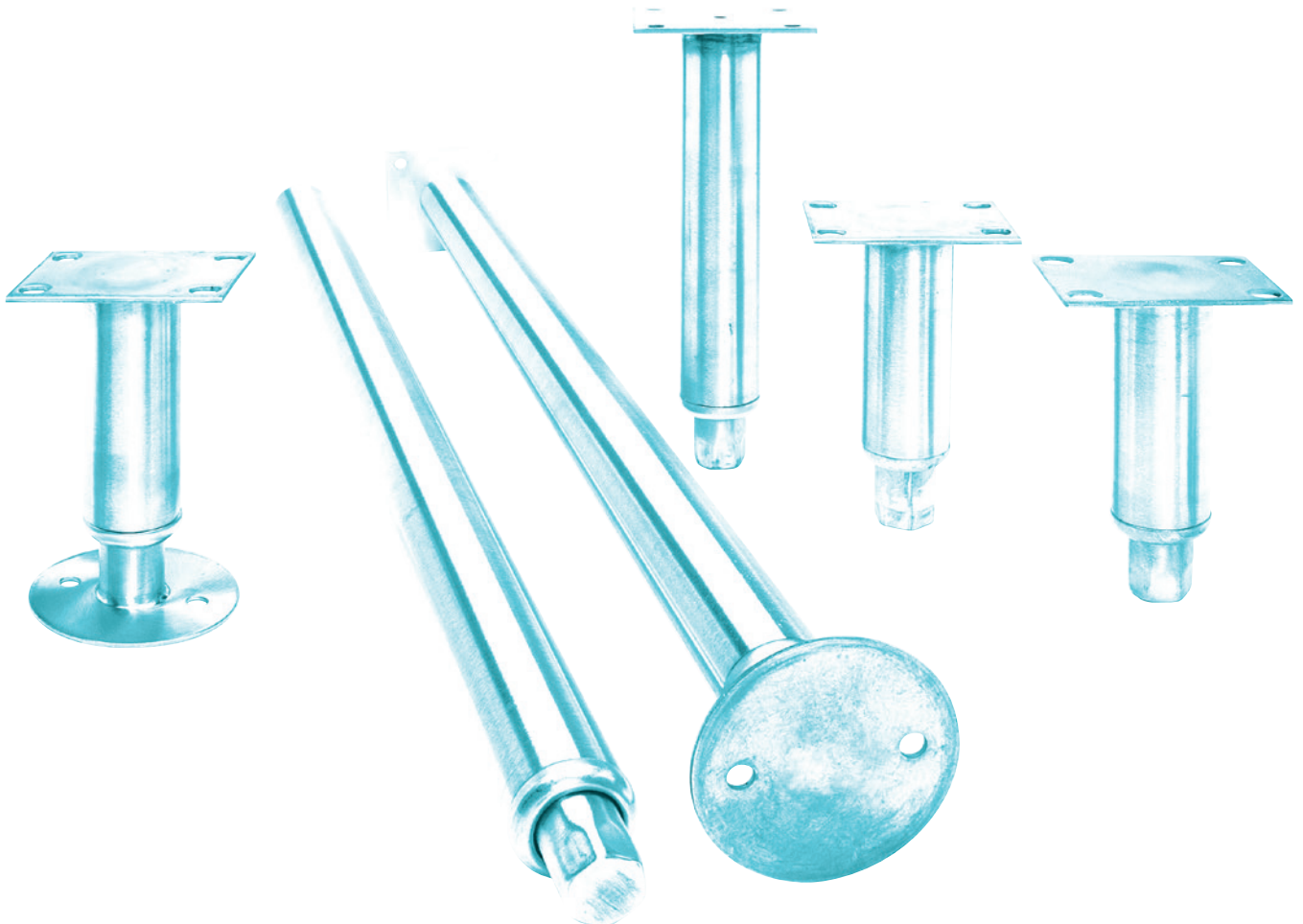




It's Better with Kason.

Equipment Legs & Casters

1.800.935.2766 | kasonind.com



To Protect your Product Integrity

Our customers go to great lengths to build top-of-the-line coolers, freezers, foodservice equipment, industrial enclosures and delivery vans. Our goal is to preserve your product integrity by providing the highest quality door hardware and accessories for both original equipment and replacement applications.

End users need to protect products and processes, and lower operating costs. Their first line of defense is stable, airtight enclosures with doors that open with ease and close securely.

Since 1926, Kason has promised and delivered just that. Kason's extensive lines of walk-in and reach-in door hardware satisfy the most demanding requirements. Demonstrate the value of your products with the most innovative, dependable and longlasting hardware in the business.

Research and Testing

Every Kason product must fulfill our customers' requirements. Before we develop a new product, we research the needs of both our industry and end users. We are never satisfied with the status quo. Our dedicated research and development staff continually search for pioneering design concepts. They insist on engineering integrity, extensive product testing and precise, in-line quality control. That is how we have developed such successful and trustworthy products as SafeGuard® inside releasing safety latches, Pacesetter handles and hinges, stainless steel hinges and latches and truck door handles with removable cylinder locks.

Creative Concepts

Leading equipment manufacturers turn to Kason when they want a unique look of their own. We will adapt a stock product, design custom hardware or partner with your design engineers to develop a signature appearance just for your products. Building special and customized hardware is routine at Kason.

Quality

Kason production facilities boast state-of-the-art installations, featuring fully automated die-casting, polishing and electroplating, as well as a full range of electronically controlled and robotic machinery. We require the finest raw materials, accurate machine tolerances and the highest level of Finishing. Skilled, experienced people maintain the Kason tradition of production excellence. Our unremitting commitment to superior manufacturing assures you consistently high quality products at the lowest possible cost. Quality assurance is integrated into every step of Kason operations to from engineering research and development through packaging and shipping.

Service

The lifeline to all your foodservice needs is our efficient and friendly Customer Service Department. A representative can quickly track product availability or the status of your order with our computerized inventory and order control system. Count on dependable global delivery as we serve you from Kason distribution centers in the continental United States and Canada as well as through authorized distributors throughout the world.

Our Promise

Satisfying your needs is our top priority. That is why Kason supplies you with hardware and accessories that reflect the same quality you demand in your own products. We strive to demonstrate an attitude that makes you want to do business with us. At Kason we offer a tradition of excellence, a philosophy of innovation and the most trusted name in specialty commercial hardware.

USA Sales & Distribution Centers

1.800.93KASON (800.935.2766)

Kason Industries, Inc.

Global Headquarters

57 Amlajack Boulevard | Newnan, GA 30265-1015, USA
800.935.3550 | FAX: 770.251.4854
Info@kasonind.com

Kason Foodservice Division

31 Amlajack Boulevard | Newnan, GA 30265-1015, USA
866.231.2157 | FAX: 770.252.8397
FoodService@kasonind.com

Kason International Division

57 Amlajack Boulevard | Newnan, GA 30265-1015, USA
770.304.3000 | FAX: 770.251.4854
International@kasonind.com

Kason Vinyl Division

31 Amlajack Boulevard | Newnan, GA 30265-1015, USA
800.472.7450 | FAX: 770.252.8397
Vinyl@kasonind.com

Kason Canada Branch

226 Industrial Pkwy North, Unit 2 | Aurora, Ontario, L4G 4C3, Canada
905.713.6515 | FAX: 905.713.6518
Canada@kasonind.com

Kason Central Branch

8889 Whitney Drive | Lewis Center, OH 43035-7106, USA
740.549.2100 | FAX: 740.549.0701
Central@kasonind.com

Kason Mid-America Branch

1239 Atlantic Avenue | Kansas City, MO 64116-4141, USA
816.472.7450 | FAX: 816.472.8580
MidAmerica@kasonind.com

Kason Western Branch

1500 East Wooley Road, Suite E
Oxnard, CA 93030-7385, USA
805.247.1088 | FAX: 805.247.1164
Western@kasonind.com

Catalog Icons



Walk-In



Casters & Caster Legs



Vinyl



Plumbing



Sliding Doors



Cabinet & Cafeteria



Lighting & Electrical



Canopy Hood



Reach-In



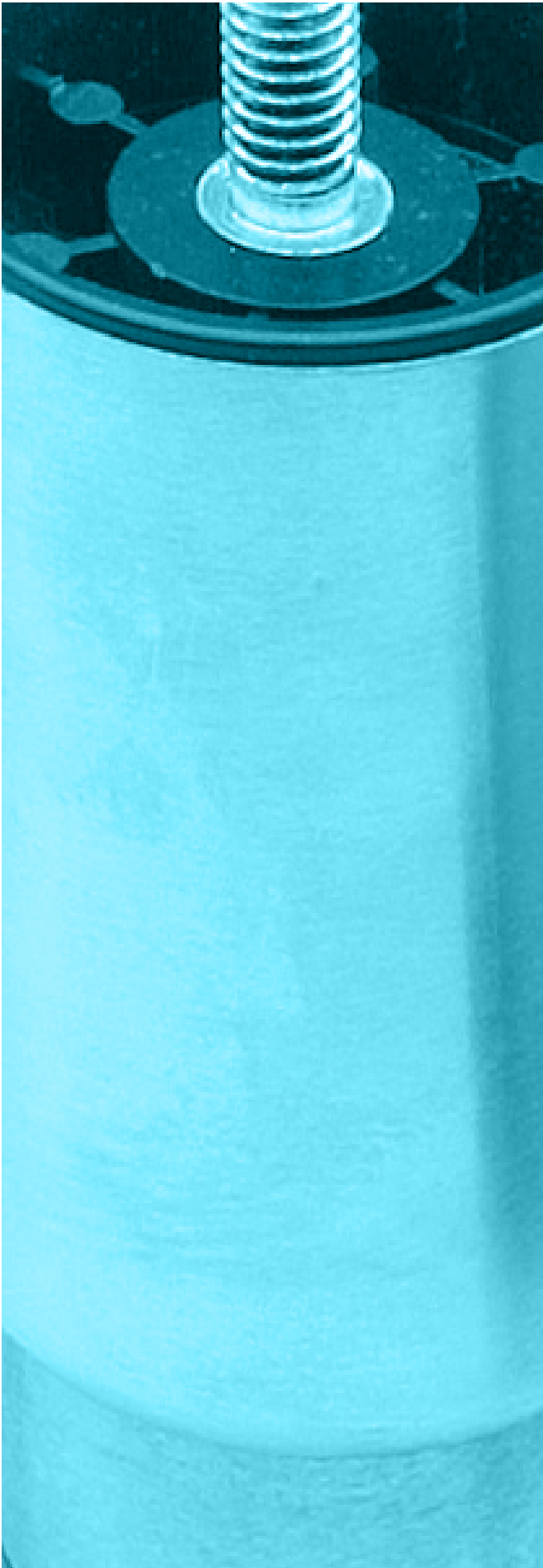
Fabrication Supplies



Equipment Legs

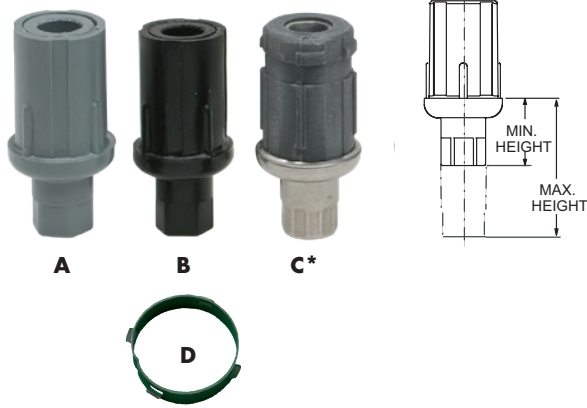


Truck Body



- 6" Cone Equipment Leg 240
- 1625 Series for 1" Tubing 237
- 1645 Series Plastic Inserts..... 232
- 1649 Series Adjustable Equipment Legs 255
- 1650-2 Bullet Foot Insert Tool 240
- 1650/1651 Series Die-Cast Hex Inserts 232
- 1651 Series Die-Cast Flange Inserts 233
- 1652 Series for 1-1/2" Square Tubing 235
- 1653 Series for 1-1/4" Tubing 236
- 1654/1655/1755 for 1-5/8" O.D. Tubing or 1-1/4" I.P.S. Pipe 238
- 1655 Series Corner Brackets for Adjustable Under-Shelves 257
- 1655 Series Cross Brace Fittings for 1-5/8" O.D. Vertical Legs..... 256
- 1655 Series Tubular Shelf Supports..... 256
- 1656 Series for 2" Tubing..... 234
- 1657 Series for 2" Square Tubing 235
- 1658 Mini 4" Adjustable Legs 254
- 1658 Series 6" Adjustable Legs..... 254
- 1661 Series for 1-5/8" Tubing 234
- 1725/1726/1740/1741 Series for 2-1/2" and 4" Appliance Legs 251
- 1725/1726/1740/1741 Series
for 2-1/2" and 4" Suction Foot Appliance Legs 253
- 1742 Series 1" Countertop Appliance Legs 250
- 1749 Series 4" Adjustable Legs..... 252
- 1750, 1751 & 1752 Series 258
- 1750 Series 1-5/8" Custom Legs 241
- 1751 Series 2" Custom Legs 242
- 1751 Series Legs 247
- 1751 Series Seismic and Security Legs 246
- 1752 Series 1-5/8" Custom Legs 243
- 1752 Series Legs..... 247
- 1753 Series 6" Tapered Legs 244
- 1760 Series Stainless Steel Clad Legs with Adjustable Foot..... 245
- 1764/1765 Zinc Plated Steel Leg Sockets..... 239
- 7105 Leg and Kick Panel Clip 248
- Allen Key Tool 240
- Custom Equipment Legs..... 249
- Custom Equipment Legs Order Form..... 258
- Mounting Plates for Equipment Legs 248

1645 Series Plastic Inserts

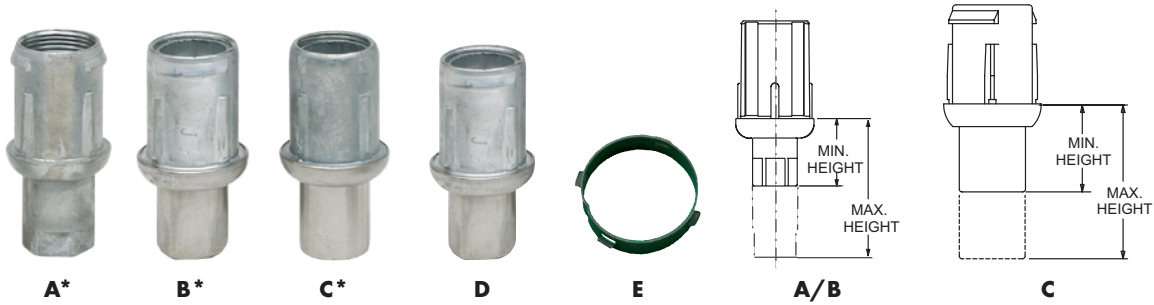


Hex Foot

- Thermoplastic body with plastic or stainless steel clad foot
- Spring steel locking ring ensures tight fit when using thin-wall or oversize tubing
- Non-marking plastic glide available for some models. Order separately
- Non-removable foot

Application	Ref.	Part No.	Body	Foot	Min. Height	Max. Height	Static Load Rating lb (kg)/ft
1-5/8" (41 mm) O.D. Tubing	A	61645000257	Gray Plastic	Plastic Hex	1-3/8" (35 mm)	2-1/2" (64 mm)	200 (91)
	B	61645000258	Black Plastic	Plastic Hex	1-3/8" (35 mm)	2-1/2" (64 mm)	200 (91)
	C	61645000357	Gray Plastic	SS Clad Hex	1-3/8" (35 mm)	2-5/8" (66 mm)	300 (136)
	D	61650001000	*Accepts Locking Ring for C				

1650/1651 Series Die-Cast Hex Inserts



Round Foot

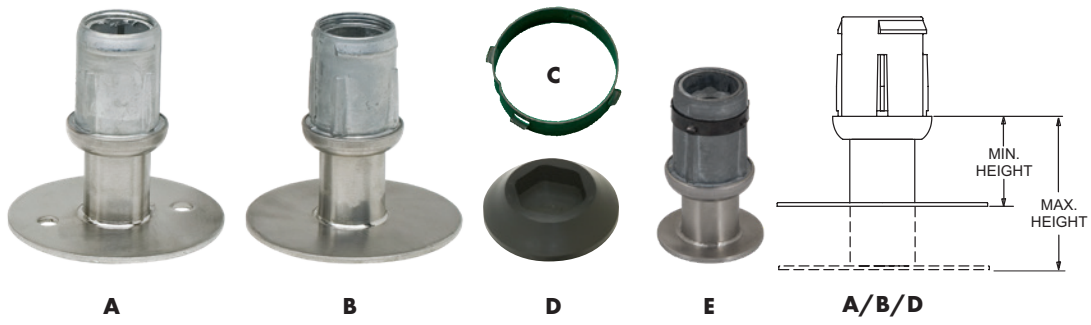
- Die-cast Zamak insert body with stainless steel clad foot
- Non-removable foot

Hex Foot

- Die-cast Zamak insert body with die-cast or stainless steel clad foot
- Optional Spring steel locking ring ensures tight fit when using thin-wall or oversize tubing
- Non-marking plastic glide available for some models. Order separately
- Non-removable foot

Application	Ref.	Part No.	Body	Foot	Min. Height	Max. Height	Static Load Rating lb (kg)/ft
1-5/8" (41 mm) O.D. Tubing	A	61650000257	Die-cast Zamak	Natural Zamak	1-5/16" (33 mm)	2-7/16" (62 mm)	2,000 (907)
	B	61651000257	SS Clad Zamak	SS Clad Hex	1-1/2" (38 mm)	2-5/8" (66 mm)	2,000 (907)
	C	61651000256	Die-cast Zamak	SS Clad Round	1-1/2" (38 mm)	2-5/8" (66 mm)	2,000 (907)
1-1/4" Pipe and 1-1/2" O.D. Tubing	D	61651000157	Die-cast Zamak	SS Clad Hex	1-1/2" (38 mm)	2-5/8" (66 mm)	2,000 (907)
	Not Shown	61650000157	Die-cast Zamak	Hex	1-5/16" (33 mm)	2-7/16" (62 mm)	2,000 (907)
	E	61650001000	*Accepts Locking Ring for A/B/C				





Flange Foot

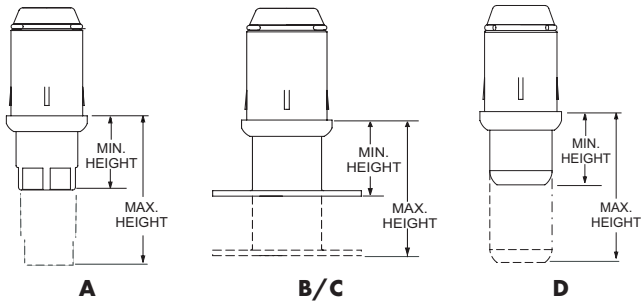
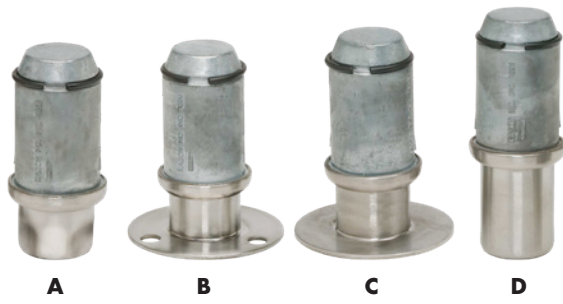
- Die-cast Zamak insert body
- 12 GA. (2.6 mm) stainless steel flange, #4 satin finish, with or without mounting holes
- Non-removable foot

Application	Ref.	Part No.	Body	Foot	Min. Height	Max. Height	Static Load Rating lb (kg)/ft	
1-5/8" (41 mm) O.D. Tubing	A	61651000357	SS Clad Zamak	3-1/2" SS Flange, 2 Mounting Holes	1-1/2" (38 mm)	2-5/8" (66 mm)	2,000 (907)	
	A	61651000357R*	SS Clad Zamak	3-1/2" SS Flange, 2 Mounting Holes	1-1/2" (38 mm)	2-5/8" (66 mm)	2,000 (907)	
	B	61651000358	SS Clad Zamak	3-1/2" SS Flange, No Mounting Holes	1-1/2" (38 mm)	2-5/8" (66 mm)	2,000 (907)	
	C	61650001000	*Accepts Locking Ring for A/B/E					
	D	61651000001	Large Black Plastic Glide for 1651000257					
	E	61651000361R*	SS Clad Zamak	2" SS Flange, No Mounting Holes	1-1/2" (38 mm)	2-5/8" (66 mm)	2,000 (907)	

*Note: 61651000357R/61651000361R comes with pre-installed locking ring.



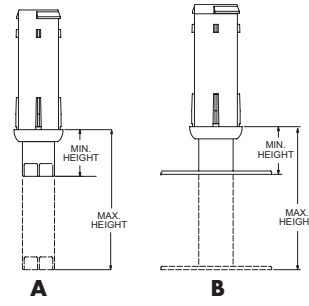
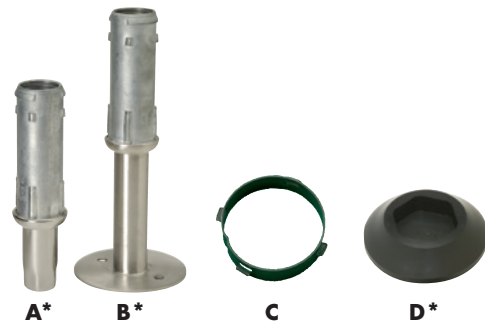
1656 Series for 2" Tubing



- Full 2" (51 mm) height adjustment
- Die-cast zinc insert with stainless steel-clad hex, round or flange foot
- Flange with or without mounting holes
- Features integrated locking ring

Ref.	Part No.	Foot	Min. Height	Max. Height	Static Load Rating lb (kg)/ft
A	61656000257	SS Clad Hex	1" (25 mm)	3" (76 mm)	2400 (1088.6)
B	61656000258	SS Flange, 3 Holes	1" (25 mm)	3" (76 mm)	2400 (1088.6)
C	61656000259	SS Flange, No Holes	1" (25 mm)	3" (76 mm)	2400 (1088.6)
D	61656000260	SS Round	2.094" (53.188 mm)	4" (101.6 mm)	2400 (1088.6)

1661 Series for 1-5/8" Tubing

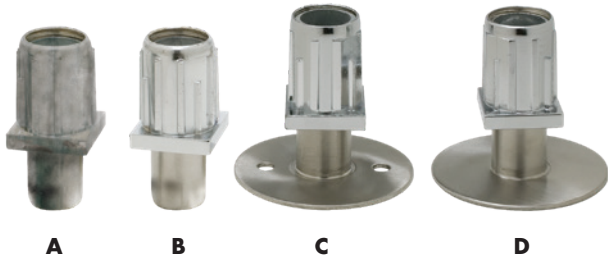


- Full 3" (76 mm) adjustment engineered to satisfy recommended food service ergonomic standards
- Provides greater tolerance and higher clearance
- Die-cast zinc insert with stainless steel-clad hex or flange foot
- Optional spring steel locking ring ensures tight fit when using thin-wall or oversize tubing. Ring and plastic glide sold separately

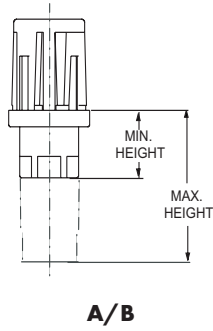
Ref.	Part No.	Description	Min. Height	Max. Height	Static Load Rating lb (kg)/ft
A	61661000257	3" Adj. Insert, SS Clad Hex Foot	1-1/2" (38 mm)	4-1/2" (114 mm)	2000 (907)
B	61661000357	3" Adj. Insert, SS Flange Foot, 2 Holes	1-1/2" (38 mm)	4-1/2" (114 mm)	2000 (907)
C	61650001000	Locking Ring			
D	61651000001	Black Plastic Glide for Hex Foot			



1652 Series for 1-1/2" Square Tubing



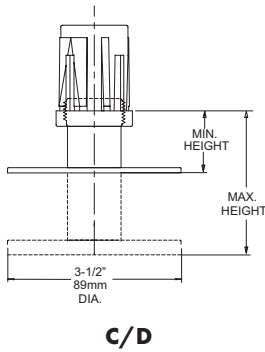
Hex



A/B

- Die-cast Zamak body, natural or nickel plated finish
- Die-cast Zamak foot, natural, stainless steel clad

Flange



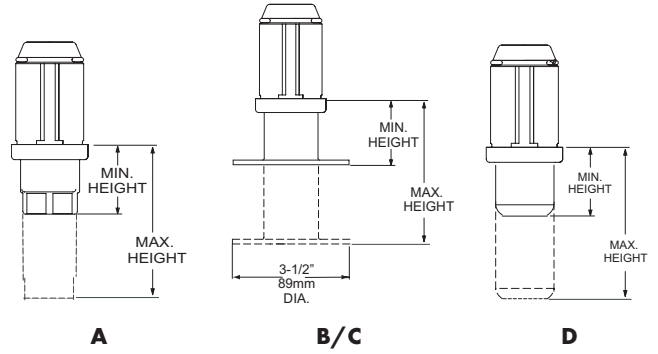
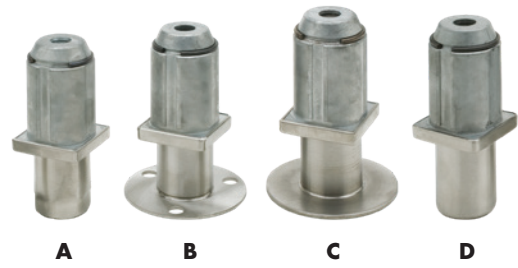
C/D

- Die-cast Zamak body, chrome or nickel plated finish
- 12 GA. (2.6 mm) stainless steel flange foot with #4 satin finish, with or without mounting holes

Ref.	Part No.	Body	Foot	Min. Height	Max. Height
A	61652000257	Die-cast Zamak	Die-cast Zamak Hex	1-5/16" (33 mm)	2-7/16" (62 mm)
B	61652000258	Nickel Plated Zamak	SS Clad Hex	1-1/2" (38 mm)	2-5/8" (66 mm)
C	61652000357	Chrome Plated Zamak	SS Flange, 2 Holes	1-1/2" (38 mm)	2-5/8" (66 mm)
D	61652000358	Chrome Plated Zamak	SS Flange, No Holes	1-1/2" (38 mm)	2-5/8" (66 mm)

Static load rating 2000 lb (907 kg) per foot

1657 Series for 2" Square Tubing



A

B/C

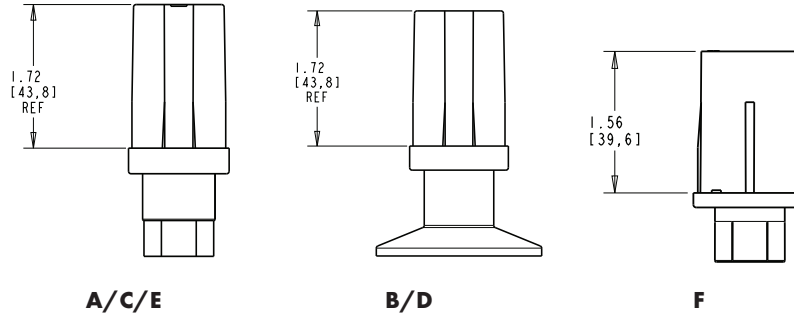
D

- Full 2" (51 mm) height adjustment
- Die-cast zinc insert with stainless steel-clad hex, round or flange foot
- Flange with or without mounting holes
- Features integrated locking ring

Ref.	Part No.	Body	Foot	Min. Height	Max. Height
A	61657000257	Die-cast Zamak	SS Clad Hex	1" (25 mm)	3" (76 mm)
B	61657000258	Die-cast Zamak	SS Flange, 3 Holes	1" (25 mm)	3" (76 mm)
C	61657000259	Die-cast Zamak	SS Flange, No Holes	1" (25 mm)	3" (76 mm)
D	61657000260	Die-cast Zamak	SS Round	2-7/16" (62 mm)	4-7/16" (113 mm)

Static load rating 2400 lb (1088.6 kg) per foot

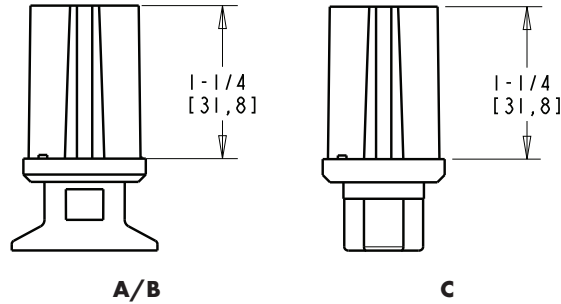
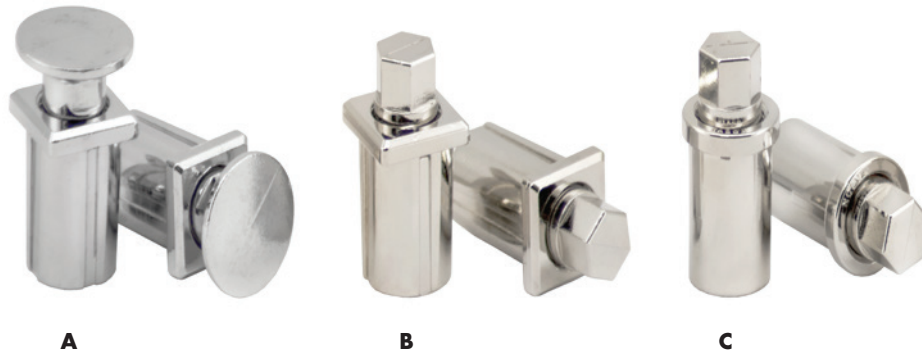
1653 Series for 1-1/4" Tubing



- Die-cast, Zamak body available in natural or nickel plated finish
- Feet available in hex and flange foot
- For use with 1-1/4" square or round 16 or 18 gauge tubing

Type	Ref.	Part No.	Body	Foot	Min.Height	Max. Height	Static Load Rating lb (kg)/ft
Square Tubing	A	61653000357	Natural Finish Zamak	Natural Zamak	1-3/8" (35 mm)	2-1/2" (64 mm)	2000 lb (907kg)
	B	61653000358	Nickel Plated Zamak	2-3/32" Flange	1-3/8" (35 mm)	2-3/8" (60 mm)	2000 lb (907kg)
	C	61653000359	Nickel Plated Zamak	Hex	1-5/16" (33 mm)	2-1/2" (64 mm)	2000 lb (907kg)
	D	61653000360	Nickel Plated Zamak	2-3/32" Flange, 1 Mounting Hole	1-3/8" (35 mm)	2-3/8" (60 mm)	2000 lb (907kg)
	E	61653000361	Natural Finish Zamak	Natural Zamak, 1 Mounting Hole	1-5/16" (33 mm)	2-1/2" (64 mm)	2000 lb (907kg)
Round Tubing	F	61653000362	Nickel Plated Zamak	Hex	3/4" (38 mm)	2-1/2" (64 mm)	2000 lb (907kg)





- Die-cast, Zamak body available in natural or nickel/chrome plated finish
- Feet available in hex and flange foot
- For use with 1" square or round 16 or 18 gauge tubing

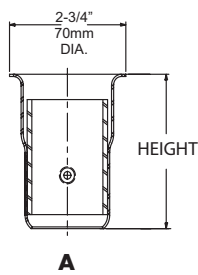
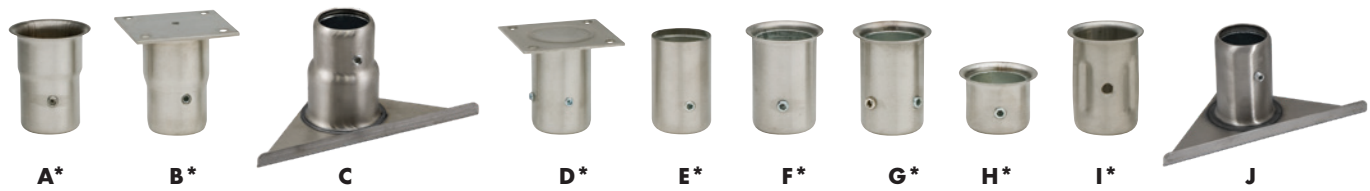
Type	Ref.	Part No.	Body	Foot	Min.Height	Max. Height	Static Load Rating lb (kg)/ft
Square Tubing	Not Shown	61625000257	Natural Finish Zamak	1-3/16" Flange	3/4" (19 mm)	1-11/16" (43 mm)	1200 lb (545 kg)
	A	61625000258	Nickel Plated Zamak	1-3/16" Flange	3/4" (19 mm)	1-11/16" (43 mm)	1200 lb (545 kg)
	B	61625000357	Nickel Plated Zamak	Hex	3/4" (19 mm)	1-11/16" (43 mm)	1200 lb (545 kg)
Round Tubing	C	61625000358	Nickel Plated Zamak	Hex	3/4" (19mm)	1-11/16" (43mm)	1200 lb (545kg)

© 2024 Kason Industries, Inc.

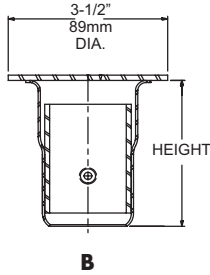
0224 LIT 001



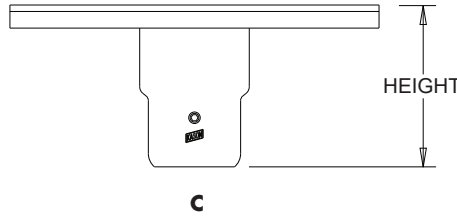
1654/1655/1755 for 1-5/8" O.D. Tubing or 1-1/4" I.P.S. Pipe



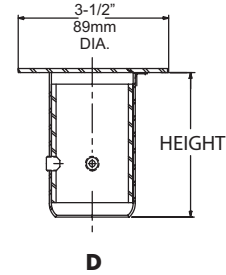
A



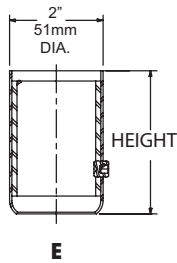
B



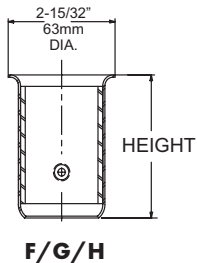
C



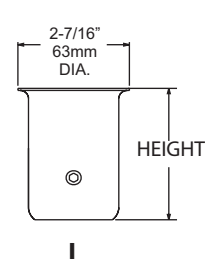
D



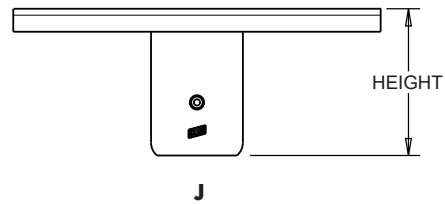
E



F/G/H



I

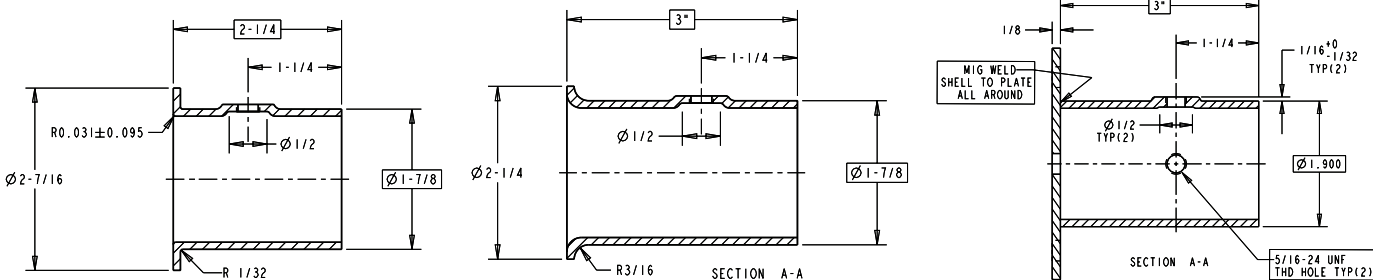
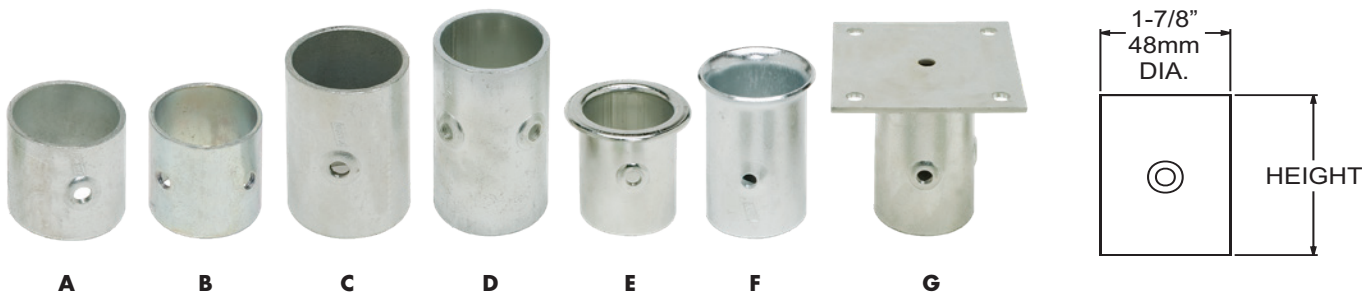


J

Application	Ref.	Part No.	Description	Height	Set Screw
1-5/8" (40 mm) O.D. Tubing or 1-1/4" (30 mm) I.P.S. Pipe	A	61654000260	Bell Top	3-7/16" (87 mm)	3/8-24
	B	61654000280	Bell Top, Welded Plate	3-9/16" (91 mm)	3/8-24
	C	61654000301	Bell Top Triangle Mounting Plate	3-1/2" (89 mm)	3/8-24
	D	61655000282	Straight top, Welded Plate	3-1/4" (83 mm)	5/16-24
	E	61655000261	Straight Top	3-3/16" (81 mm)	3/8-24
	F	61655000260	Flange Top	3-1/8" (79 mm)	3/8-24
	F	61655000265	Flange Top	3-1/8" (79 mm)	5/16-24
	G	61655000263	Flange Top	3-1/8" (79 mm)	3/8-24
	H	61655000264	Flange Top	1.75" (45 mm)	3/8-24
	I	61755000260	Flange Top, Unlined	3-1/8" (79 mm)	3/8-24
	J	61655000301	Triangle Mounting Plate	3-1/4" (83 mm)	5/16-24
	Not Shown	61655000003	NSF Plastic Plug for 3/8-24 Hex Screw		3/8-24
Set screws provided. To order additional 3/8-24 set screws, specify part no. 1655000001.				3/8-24	

- 16 GA. (1.5 mm) 300 stainless steel, #4 satin finish
- Models 1654 & 1655 lined with 12 GA. (3 mm) steel, zinc plated sleeve
- Strong 3/8-24 hex set screw provided for tight fitting leg assembly (5/16-24 set screw also available for 61655000265)
- Multiple set screw models available
- Available with 3-1/2" sq. (89 mm), 11 GA. (2.5 mm) stainless steel welded mounting plate
- For NSF applications, order optional push-in plastic plugs for set screws





Application	Ref.	Part No.	Description	Height
	A	61764000008	Straight Top	1-11/16" (43 mm)
	B	61764000018	Straight Top	1-11/16" (43 mm)
	C	61765000008	Straight Top	2-9/16" (65 mm)
1-5/8" (40 mm) O.D. tubing or 1-1/4" (30 mm) I.P.S. pipe	D	61765000018	Straight Top	3" (76 mm)
	E	61765000014	Flange Top	2-1/4" (57 mm)
	F	61765000016	Flange Top	3" (76 mm)
	G	61765000017	Welded Mounting Plate, 3-1/2" Sq.	3" (76 mm)
Not Shown		61765000001	Zinc Plated Steel Set Screw, 5/16-24 (Provided with Leg Socket)	

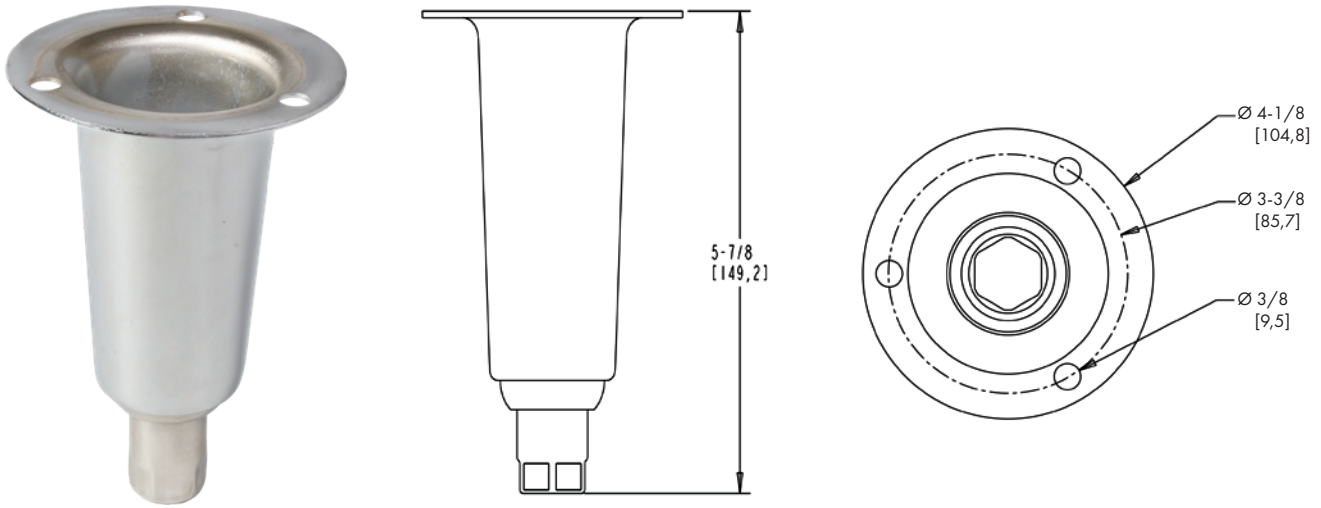
- Bright zinc plating prevents rust
- Multiple set screw models available
- Zinc plated steel set screws provided
- Set screw not included

© 2024 Kason Industries, Inc.

0224 LIT 001



6" Cone Equipment Leg



2000 lb load rating.

Part No.	Body	Min. Height	Max. Height	Foot
69000003601	Chrome Plated Steel	5-7/8"	7"	Hex Foot

1650-2 Bullet Foot Insert Tool



Slides into place on bullet feet for easier installation on tubing.

Allen Key Tool










Comfortable grip for easier installation.

Part No.	Shape	Hex Size
60000200596	Hex	5/32"
60000200597	Hex	3/16"



- 3" (76 mm) standard adjustment available
- Stainless steel tubing is 16 GA. #300 series with #4 satin finish
- Mild steel tubing, zinc plate or powder coated available special order
- Leg height to your specification from 4" (102 mm) to 36" (914 mm), with some restrictions
- Threaded steel stem, welded or separate plate options for easy mounting
- Many sizes in stock for immediate shipment

Tubing	Heights	Top Styles	Welded Mounting Plates	Description	
		Plain Weld Top		S/S Clad Zamak Hex Static Load Ratings 2000 lb (907 kg)	
Zinc Plated Steel 1-5/8" (40 mm) O. D., 16 GA.(1.5 mm)	Specify in 1/8" (3 mm) increments from 4" to 36" (102 to 914 mm)	Flush Stud 1/2-13, 5/8-11	Welded Plate 3-1/2" sq. (89 mm), Round Holes	Natural Zamak Hex Static Load Ratings 2000 lb (907 kg)	
- or - Stainless Steel 1-5/8" (40 mm) O. D., 16 GA. (1.5 mm)	Some restrictions apply.			Gray or Black Thermoplastic Hex Static Load Rating 200 lb (91 kg)	
		Through Stud 1/2-13, 5/8-11	Welded Plate 2-1/2" x 3-5/8" (64 x 92 mm), Slotted Holes	Plastic, SS Clad Hex Static Load Rating 300 lb (136 kg)	
				SS Flange, 2 Holes Static Load Ratings 2000 lb (907 kg)	
				SS Flange, No Holes Static Load Ratings 2000 lb (907 kg)	








Select options and user order form on Page 258. For removable plates see page 248.



1751 Series 2" Custom Legs



- Leg height to your specification (some restrictions apply)
- 3" (76 mm) standard adjustment available
- Stainless steel tubing is 16 GA. #300 series with #4 satin finish
- Integral feet
- Static load ratings up to 2000 lb (907 kg)
- Leg height to specification from 4" (102 mm) to 36" (914 mm) with some restrictions
- Many sizes in stock for immediate shipment
- Non-removable feet available
- Threaded steel stem, welded or separate plate options for easy mounting
- Special studs and mounting plates are available to meet individual mounting requirements








Tubing	Heights	Top Styles	Welded Mounting Plates	Integral Foot	
Stainless Steel 2" (50 mm) O.D. 16 GA. (1.5 mm)	Specify in 1/8" (3 mm) increments from 4" to 36" (102 to 914 mm) Some restrictions apply.	Plain Weld Top		Hex	
		Flush Stud 1/2-13, 5/8-11 3/4 - 10		Round	
		Through Stud 1/2-13, 5/8-11 3/4 - 10	Welded Plate 3-1/2" sq. (89 mm), Round Holes	Round, Plastic Glide	
		Through Stud 1/2-13, 5/8-11 3/4 - 10	Welded Plate 2-1/2" x 3-5/8" (64 x 92 mm), Slotted Holes	Flange, No Holes	
		Through Stud 1/2-13, 5/8-11 3/4 - 10	Welded Plate 2-1/2" x 3-5/8" (64 x 92 mm), Slotted Holes	Flange, 2 or 3 Holes	

Select options and user order form on Page 258. For removable plates see page 248.





- 3" (76 mm) standard adjustment available
- Stainless steel tubing is 16 GA. #300 series with #4 satin finish
- Integral foot
- Static load ratings up to 2000 lb (907 kg)
- Leg height to specification from 4" (102 mm) to 36" (914 mm) with some restrictions
- Many sizes in stock for immediate shipment
- Non-removable feet available
- Threaded steel stem, welded or separate plate options for easy mounting

Tubing	Heights	Top Styles	Welded Mounting Plates	Integral Foot
Stainless Steel 1-5/8" (40 mm) O.D. 16 GA. (1.5 mm)	Specify in 1/8" (3 mm) increments from 4" to 36" (102 to 914 mm) Some restrictions apply.	Plain Weld Top		Hex 
		Flush Stud		Round 
		Through Stud	Welded Plate 3-1/2" sq. (89 mm) Round Holes	Round Plastic Glide 
		Through Stud	Welded Plate 2-1/2" x 3-5/8" (64 x 92 mm) Slotted Holes	Flange, No Holes 
		Through Stud	Flange, 2 Holes 	

Select options and user order form on Page 252. For removable plates see page 248.



1753 Series 6" Tapered Legs



- 16 GA. (1.5 mm), 300 series stainless steel, #4 satin finish
- Threaded steel stem, welded or separate plate options for easy mounting. See page 248

Ref.	Part No.	Mounting Type	Foot
A	61753HF60T5	1/2-13 Through	Hex
B	61753HF60F7	3/4-10 Flush	Hex
C	61753HF60T7	3/4-10 Through	Hex
D	61753HF60N0	Welded Plate, 3-1/2" Sq.	Hex
E	61753F360F7	3/4-10 Flush	3-Hole Flange
F	61753F360T7	3/4-10 Through	3-Hole Flange
Not Shown	61753RF60W0	Plain Weld Top	Round
Not Shown	61753HF6080	Leg B, Packed with No.1780 Mounting Plate	

Static load rating 2000 lb (907 kg) per leg.





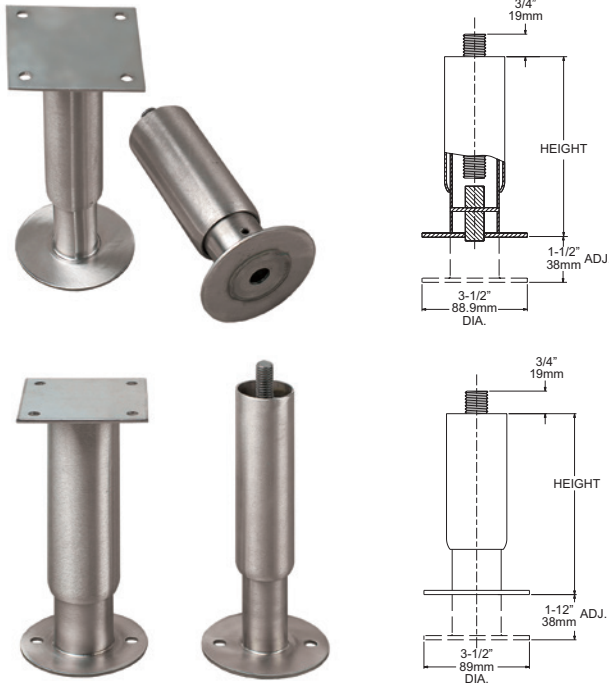
U. S. Patent No. 7,159,829 and D562,631

- Stainless steel clad with strong, engineered plastic internal construction
- Round foot with non-marking plastic glide
- Select from three heights
- Innovative design ensures Kason quality
- Removable mounting plates sold separately. See page 248

Product No.	Customer	Tubing	Heights/Adjustments
1760PG60T3	Manitowoc		
1760PG60T5		Stainless Steel Clad 1-5/8" (40 mm) O. D. 2" (50 mm) O. D.	4" (102 mm) / 1.75" (45 mm) 6" (152 mm) / 2" (50 mm)
1760PG60T6			
1760PG60T7			
1760NF37F7			

Static load rating 2000 lb (907 kg) per foot.

1751 Series Seismic and Security Legs



- 16 GA. (1.5 mm) 300 series stainless steel tubing,
- 11 GA. (3 mm) flange. No. 4 satin finish
- Mounts with threaded stud or welded plate
- Special studs and mounting plates are available to meet individual mounting requirements
- See page 248 for removable mounting plates
- Static load rating 2000 lb (907 kg) per leg

Seismic Restraint Legs

- Standard 6" height/adjustable Foot
- Center hole in flange base fits over rod permanently anchored in the floor
- Leg and rod are fastened with a stainless steel pin (not furnished)
- Complies with SMACNA requirements

Security Legs

- Specified for applications requiring secured, floor-fastened, adjustable legs
- Ideal for marine and institutional uses

Leg Type	Tubing	Height
Seismic Restraint	1751 Series 2" (50 mm) O. D., 16 GA. (1.5 mm) Stainless Steel	Specify in 1/8" (3 mm) increments from 4" (102 mm) to 36" (914 mm) (some restrictions apply)
Security	1752 Series 1-5/8" (40 mm) O. D., 16 GA (1.5 mm) Stainless Steel	

Select options and user order form on Page 258.



1751 Series Legs



Part No.	Description	Mounting Stud
61751HF60T7	2" OD x 6" H, SS, 3/4-10 x 3/4" Through Hex Foot	3/4-10 Through Stud
61751HF60F7	2" OD x 6" L, SS, 3/4-10 Flush Hex Foot	3/4-10 Flush Stud
61751HF6080*	2" OD x 6" H, SS, 17807-4 MTG Plate Hex Foot	3.5 x 3.5 Square
61751HF40T7	2" OD x 4" H, SS, 3/4-10 x 3/4" Through Hex Foot	3/4-10 Through Stud
61751HF40F7	2" OD x 4" H, SS, 3/4-10 Flush Hex Foot	3/4-10 Flush Stud
61751P360T7	2" OD x 6" H, SS, 3/4-10 x 3/4" Through P3 Foot	3/4-10 Through Stud
61751P360F7	2" OD x 6" H, SS, 3/4-10 Flush P3 Foot	3/4-10 Flush Stud
61751P36080*	2" OD x 6" H, SS, 17807-4 MTG Plate P3 Foot	3.5 x 3.5 Square
61751PG60T7	2" OD x 6" H, SS, 3/4-10 x 3/4" Through PG Foot	3/4-10 Through Stud
61751PG60F7	2" OD x 6" H, SS, 3/4-10 Flush PG Foot	3/4-10 Flush Stud

*Legs and mounting plates packaged together for easy ordering.

1752 Series Legs



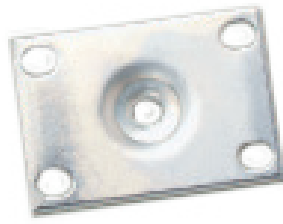
Part No.	Description	Mounting Stud
61752HF60T5	1-5/8" OD x 6" H, SS, 1/2-13 x 3/4" Through Hex Foot	1/2-13 Through Stud
61752HF60F5	1-5/8" OD x 6" H, SS, 1/2-13 Flush Hex Foot	1/2-13 Flush Stud
61752HF6080*	1-5/8" OD x 6" H, SS, 17805-4 MTG Plate Hex Foot	3.5 x 3.5 Square
61752HF40T5	1-5/8" OD x 4" H, SS, 1/2-13 x 3/4" Through Hex Foot	1/2-13 Through Stud
61752HF40F5	1-5/8" OD x 4" H, SS, 1/2-13 Flush Hex Foot	1/2-13 Flush Stud
61752HF4080*	1-5/8" OD x 4" H, SS, 17805-4 MTG Plate Hex Foot	3.5 x 3.5 Square

*Legs and mounting plates packaged together for easy ordering.

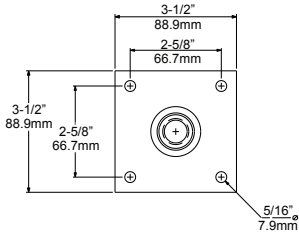
Mounting Plates for Equipment Legs



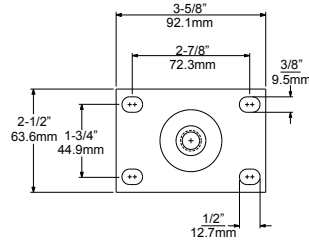
A



B



A



B

- Rugged 11 GA. (3 mm) steel
- Zinc plated to prevent rust
- Recessed dimple ensures flush mounting
- Mounting holes also match many popular caster plate patterns

Ref.	Part No.	Size	Threaded Hole Size	Screw Hole Type
	61780500004	3-1/2" (88.9 mm) Sq.	1/2-13	Round
A	61780600004	3-1/2" (88.9 mm) Sq.	5/8-11	Round
	61780700004	3-1/2" (89 mm) Sq.	3/4-10	Round
	61783500004	2-1/2" x 3-5/8" (64 x 92 mm)	1/2-13	Slotted
B	61783600004	2-1/2" x 3-5/8" (64 x 92 mm)	5/8-11	Slotted
	61783700004	2-1/2" x 3-5/8" (64 x 92 mm)	3/4-10	Slotted

7105 Leg and Kick Panel Clip



A*



B



C

- Holds removable panels
- Clips snap on and off
- Great for maintenance access
- Allows for easy mounting of kick panel plates

Ref.	Part No.	Description
A	67105000005	Steel spring Clip, 1-5/8" to 2" (41.3 to 50.8 mm) Tubing
B	67105000008	Polypropylene Clip, 1-1/2" (38.1 mm) Tubing
C	67105000009	Polypropylene Clip, 1-5/8" (41.3 mm) Tubing





- Built to your specifications
- Folded equipment legs
- Unique styles
- Heavy-duty legs and feet
- Caster legs for mobile applications
- Functional design

Kason Foodservice can engineer and fabricate virtually any type of equipment leg you desire. Our expert engineering and sales staff will assist you in the design and specification of custom legs to meet your specific needs.

Our custom fabrication facilities are second to none. Kason Foodservice equipment legs are backed by Kason’s outstanding reputation for producing premier quality products.

Talk with your Kason representative or contact Kason Foodservice, toll free 866.231.2157.



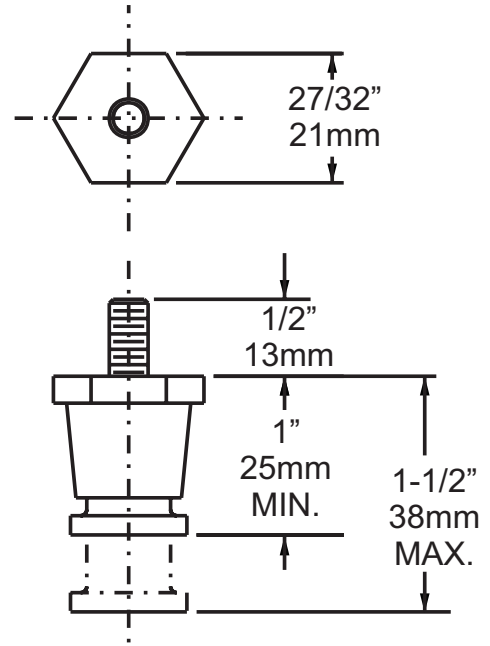
1742 Series 1" Countertop Appliance Legs

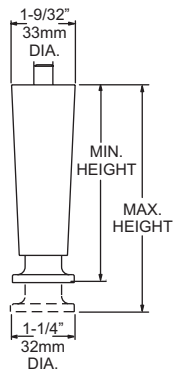


- Thermoplastic or zinc body, plastic or rubber foot, steel stud
- 1" (25 mm) minimum height adjusts to 1-1/2" (38 mm) height
- Optional thread converter screws onto 1/4" stud to convert to 3/8" stud

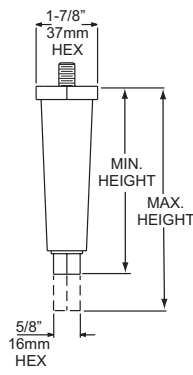
Part No.	Leg Material	Leg Finish	Foot	Mounting Stud
61742000358	Thermoplastic	Chrome	Blk. Rubber	1/4-20
61742000359	Thermoplastic	Chrome	Blk. Rubber	3/8-16
61742000360	Thermoplastic	Black	Hex	3/8-16
61742000361	Thermoplastic	Chrome	Hex	3/8-16
61742000362	Thermoplastic	Gray	Round	1/4-20
61742000363	Thermoplastic	Gray	Round	3/8-16
61742000364	Thermoplastic	Gray	Hex	1/4-20
61742000365	Thermoplastic	Gray	Hex	3/8-16
61742000368	Thermoplastic	Chrome	Round	1/4-20
61742000369	Thermoplastic	Chrome	Hex	1/4-20
61742000370	Thermoplastic	Black	Round	1/4-20
61742000371	Thermoplastic	Black	Hex	1/4-20
61742000366	Zinc	Chrome	Round	1/4-20
61742000367	Zinc	Chrome	Round	3/8-16
61742000458	Zinc	Chrome	Blk. Rubber	1/4-20
61742000001	Thread Converter, Converts 1/4" stud to 3/8"			

Static load rating: 50 lb (23 kg) per leg

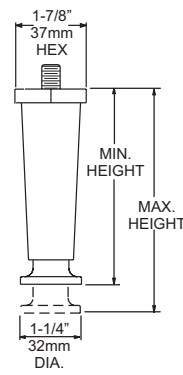




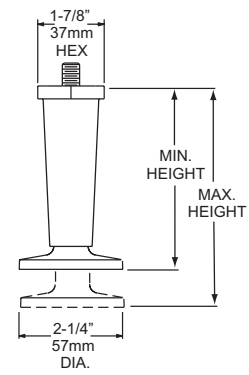
A-B



C-D/F-G



E/H-I



J

- Impact-resistant thermoplastic or nickel plated die-cast Zamak
- Mounts with 3/8-16 through stud; 1/4-20 through stud available
- Height adjustments shown below
- Supplied in packs of 4 for easy knock down shipping

Ref.	Part No.	Mounting	Material/Finish	Foot Type	Min. Height	Max. Height	Static Load Rating Per Leg
A	61741000358	3/8-16 Through	Nickel Plated Zamak	Flange	4" (102 mm)	5" (127 mm)	250 lb (113 kg)
B	61726000259	3/8-16 Through	Nickel Plated Zamak	Flange	2-1/2" (64 mm)	3-1/2" (89 mm)	250 lb (113 kg)
C	61725000257	3/8-16 Through	Black Thermoplastic	Hex	2-1/2" (64 mm)	3-1/2" (89 mm)	75 lb (34 kg)
D	61740000257	3/8-16 Through	Black Thermoplastic	Hex	4" (102 mm)	5-3/8" (137 mm)	75 lb (34 kg)
E	61740000258	3/8-16 Through	Black Thermoplastic	Flange	4" (102 mm)	5-3/8" (137 mm)	75 lb (34 kg)
F	61741000257	3/8-16 Through	Nickel Plated Zamak	Hex	4" (102 mm)	5-3/8" (137 mm)	250 lb (113 kg)
G	61741003257	3/8-16 Through	Nickel Plated Zamak	Non-skid Hex	4" (102 mm)	5-3/8" (137 mm)	225 lb (102 kg)
H	61741000258	3/8-16 Through	Nickel Plated Zamak	Flange	4" (102 mm)	5-3/8" (137 mm)	250 lb (113 kg)
I	61741003258	3/8-16 Through	Nickel Plated Zamak	Non-skid Flange	4" (102 mm)	5-3/8" (137 mm)	225 lb (102 kg)
J	61741000259	3/8-16 Through	Nickel Plated Zamak	Large Flange	4" (102 mm)	5-3/8" (137 mm)	250 lb (113 kg)
Not Shown	61726000257	3/8-16 Through	Nickel Plated Zamak	Hex	2-1/2" (64 mm)	3-1/2" (89 mm)	250 lb (113 kg)
Not Shown	61740000158	1/4-20 Through	Black Thermoplastic	Flange	4" (102 mm)	5-3/8" (137 mm)	75 lb (34 kg)

Special mounting studs available in 1/4-20 or metric sizes.



1749 Series 4" Adjustable Legs



- Extra-duty construction for larger countertop appliances
- Hi-temp, impact-resistant thermoplastic body available in black or nickel finish
- Strong, die-cast flange foot is nickel plated for long wear
- Heavy-duty steel mounting stud available 3/8-16 or 1/2-13
- Height adjusts 1-1/4" (32 mm)
- Order optional non-skid foot pads separately
- 1/2-13 mounting plates available on page 248

Part No.	Leg	Foot	Mounting Stud
6174900004	Black	Nickel	3/8-16 Through
6174900008	Nickel	Nickel	3/8-16 Through
61749000014	Black	Nickel	1/2-13 Through
61749000018	Nickel	Nickel	1/2-13 Through
61749000034	Black	Nickel	1/2-13 Flush
61749000038	Nickel	Nickel	1/2-13 Flush
6174900PAD1	Non-skid Pad for 1749 Series		

Static load rating 2000 lb (907 kg) per leg.



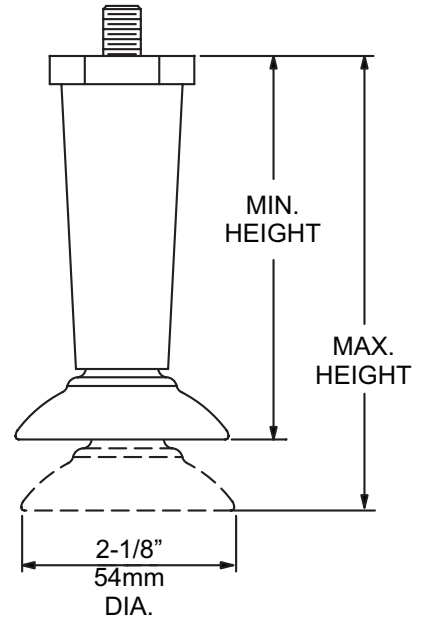


- Sturdy legs with large suction cup feet keep appliances in place
- Nickel plated die-cast zinc or high impact thermoplastic leg
- Non-marring neoprene suction feet
- Injection molded foot over solid metal insert
- Fully adjustable

Ref.	Part No.	Description	Min. Height	Max. Height
A	61740002257	Black Thermoplastic	4-1/8" (102 mm)	4-7/8" (102 mm)
B	61741002257	Brushed Nickel Plated Zinc	4-1/8" (102 mm)	4-7/8" (102 mm)
C	61725002257	Black Thermoplastic	2-13/16" (52 mm)	3-9/16" (77 mm)
D	61726002257	Brushed Nickel Plated Zinc	2-13/16" (52 mm)	3-9/16" (77 mm)
E	61741002358	Brushed Nickel Plated Zinc	4-1/8" (102 mm)	4-7/8" (102 mm)

Static load rating 75 lb (34 kg) per leg.

Standard mounting stud 3/8-16 through.
Special mounting studs available in 1/4-20 or metric sizes.

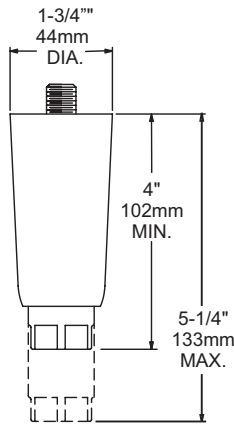


© 2024 Kason Industries, Inc.

0224 LIT 001



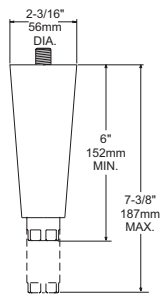
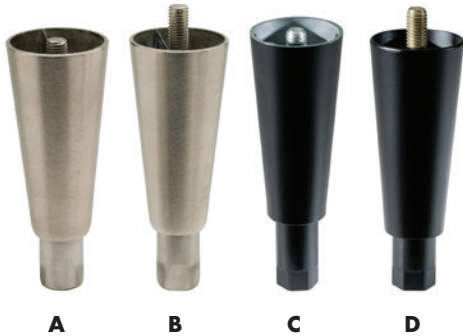
1658 Mini 4" Adjustable Legs



- Die-cast Zamak leg and hex foot
- Threaded steel stud for easy mounting
- Height adjusts 1-1/4" (32 mm)
- Mounting plates available on page 248

Part No.	Leg	Foot	Mounting Stud
6165800MINI	Satin Nickel Plated	Satin Nickel Plated	1/2-13 Through
Static load rating 2000 lb (907 kg) per leg.			

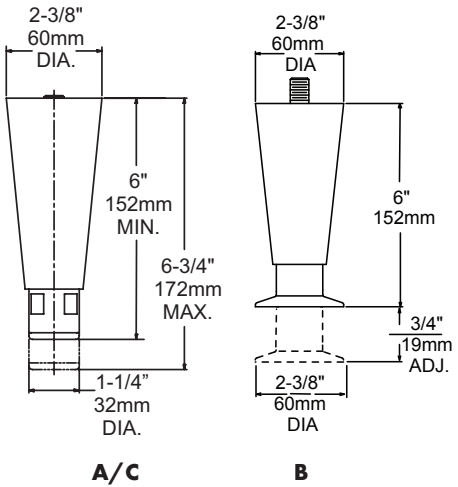
1658 Series 6" Adjustable Legs



- Die-cast Zamak leg and hex foot
- Threaded steel stud for easy mounting
- Height adjusts 1-3/8" (35 mm)
- Removable mounting plates are packed and sold separately. See page 248
- Gray powder coat finish is available special order
- Packed 4 per carton for knock-down shipment
- The classic 6" equipment leg

Ref.	Part No.		Mounting Stud	Leg	Foot
	Flush Stud	Through Stud			
A	6165800BN5F4	6165800BN5T4	1/2-13	Nickel Plated	Stainless Steel
B	6165800BN6F4	6165800BN6T4	5/8-11	Nickel Plated	Stainless Steel
C	6165800SB5F4	6165800SB5T4	1/2-13	Black Powder Coat	Black Powder Coat
D	6165800SB6F4	6165800SB6T4	5/8-11	Black Powder Coat	Black Powder Coat
Not Shown	6165800BN80	Leg 1658-BN Packed with 1780 Plate		Nickel Plated	Stainless Steel
Not Shown	6165800SB80	Leg 1658-SB Packed with 1780 Plate		Black Powder Coat	Black Powder Coat
Static load rating 2000 lb (907 kg) per leg.					





U.S. Patent No. 7,571,887

- Ideal for ice makers, reach-ins, commercial refrigerators, counters and cabinets
- Durable, black ABS plastic body
- Height adjusts 1-3/4" (45 mm)
- Internal, zinc-plated steel stud provides strength of metal leg
- Die-cast foot or plastic foot with internal steel reinforcement
- Available packed with plates

Ref.	Part No.	Description	Mounting Stud
A	6164900BP5F4	Hex, Black Plastic	1/2-13 Flush
	6164900BP5T4	Hex, Black Plastic	1/2-13 Through
B	11649NFBN6T4	Nonremovable Flange, Nickel Plated Zamak	5/8-11 Through
C	11649N0BN5T4	Nonremovable Hex, Nickel Plated Zamak	1/2-13 Through

Static load rating 2000 lb (907 kg) per leg

1655 Series Cross Brace Fittings for 1-5/8" O.D. Vertical Legs



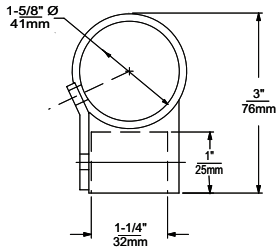
A



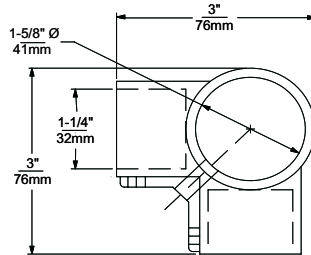
B



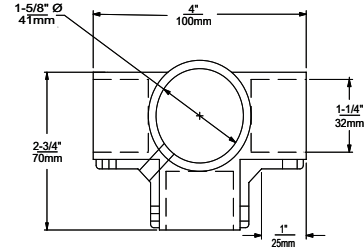
C



A



B



C

- Quick-mate 1-5/8" (41 mm) O.D. vertical legs with 1-1/4" (32 mm) O.D. horizontal cross rails
- Die-cast aluminum construction
- Secure set screws included
- Simplify installation; no notching, welding and polishing

Application	Ref.	Part No.	Description
1-5/8" (40 mm) O.D. Legs	A	61655000800	End Fitting
w/ 1-1/4" (30 mm) O.D. Horizontal Cross Rails	B	61655000801	Corner Fitting
	C	61655000802	Center Fitting

1655 Series Tubular Shelf Supports



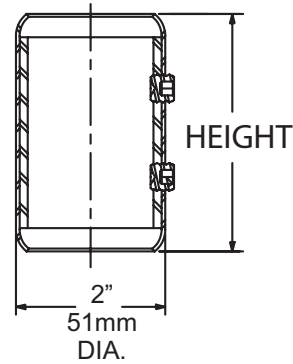
A



B



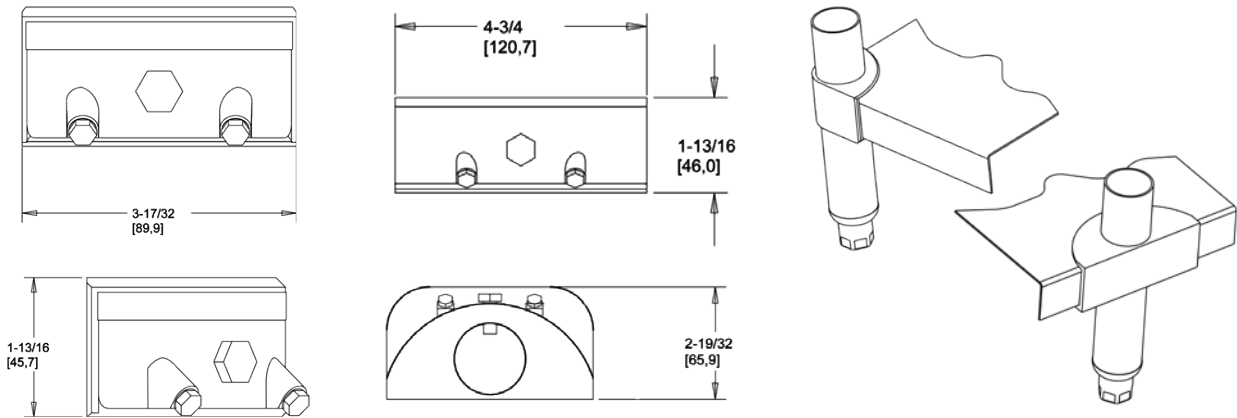
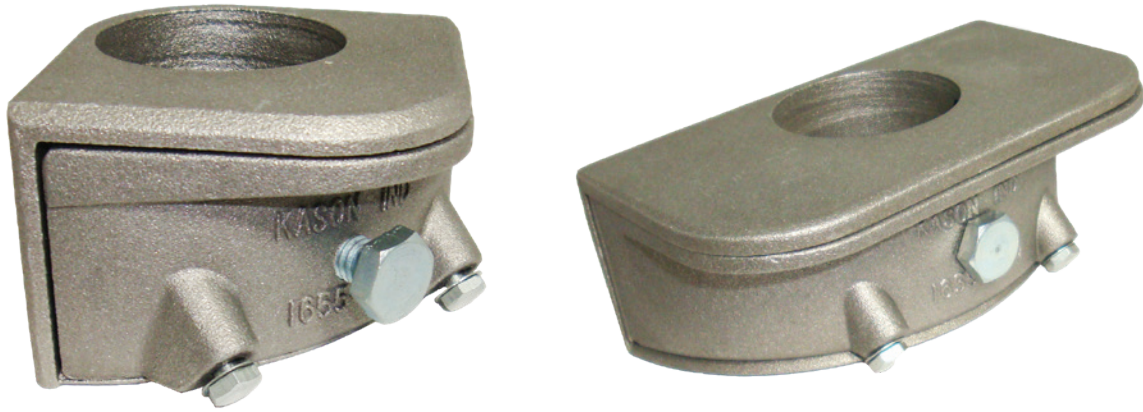
C



- Stainless steel for 1-5/8" (40 mm) O.D. tubing
- Plated inside liner

Ref.	Part No.	Description	Height
A	61655000272	SS w/Liner	5-1/4" (133.4 mm)
B	61655000271	SS w/Liner	3-3/16" (80 mm)
C	61655000273	SS w/Liner w/ 1 Set Screw	1-7/8" (47.6 mm)





- Made of pre-finished die cast aluminum
- Designed for 1-5/8" (41 mm) O.D. tubing
- Designed to attach to pre-notched sheet metal under shelves
- Provides ability to adjust stainless table under-shelves to desired height
- Ideal for knock down shipping
- 500 lb load rating

Part No.	Description
61655001010	Under-shelf Corner Bracket, Adjustable
61655001020	Under-shelf Center Bracket, Adjustable

© 2024 Kason Industries, Inc.

0224 LIT 001

Custom Equipment Legs Order Form

Requested By _____

Company _____

Date _____

Address _____

Quantity _____

City _____

State _____

Zip _____

PO# _____

Phone _____

Email _____

1750, 1751 & 1752 Series

Tubing Series/Size

- 1750 1-5/8" (40 mm) O.D.
- 1751 2" (50 mm) O.D.
- 1752 1-5/8" (40 mm) O.D.

Material

- Stainless Steel
- Zinc Plated Steel
- Powder Coated

Minimum Height

(Leg top to foot bottom with foot retracted)

Maximum Height

(Leg top to foot bottom with foot extended)

Foot Type

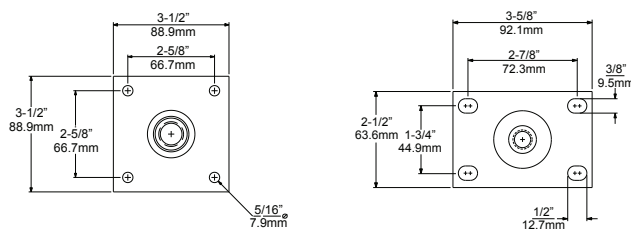
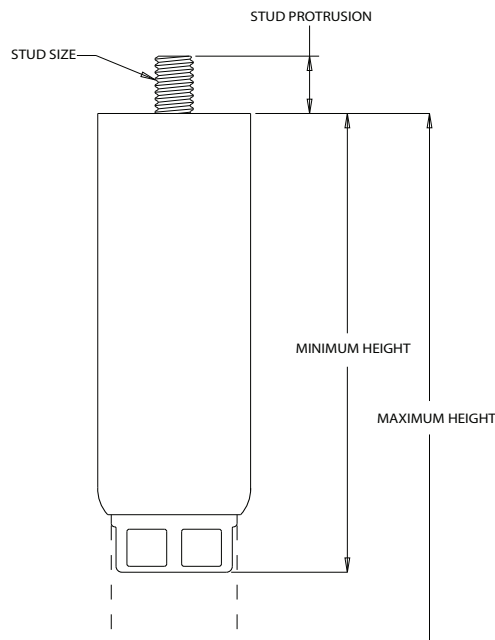
- | | |
|--|---|
| <input type="radio"/> Flange, No Holes | <input type="radio"/> Black Plastic Hex |
| <input type="radio"/> Flange, 2 Holes | <input type="radio"/> SS Clad Plastic |
| <input type="radio"/> Flange, 3 Holes | <input type="radio"/> Round Toe |
| <input type="radio"/> Round w/ Plastic Glide | <input type="radio"/> 3" Adjustment Flange |
| <input type="radio"/> Raw Hex | <input type="radio"/> 3" Adjustment Hex |
| <input type="radio"/> SS Clad Hex | <input type="radio"/> 3" Adjustment Plastic |
| <input type="radio"/> Gray Plastic Hex | |

Mounting

- Flush Stud (flush to 1/8")
- Through Stud (protrudes 3/4")

Stud Size

- 1/2-13
- 5/8-11
- 0.75 -10
- Weld Top (no stud)
- Mounting Plate
- Other
 - Plate Type _____



List Special Requirements

Submit for quotation to your Kason representative or to Kason Foodservice Division, fax 770.252.8397. Phone toll free 866.231.2157.